

### 产品特性 Product features

- LINP精密直线轴承与金属滚珠直线轴承尺寸精度保持一致，但具有更高的承载能力且运行噪音极低。滑动膜采用了TEFPLAS<sup>™</sup>复合材料实现永久免维护，低摩擦系数，适用于高低温±200℃运行；TEFPLAS<sup>™</sup>材料结合LINP小间隙运行不但对轴不会造成损伤而且能清洁轴表面污垢。
- 自润滑，免维护
- 高精度，运行平稳
- 减振，无噪音
- 高速运行，长寿命
- 适合直线、旋转和摇摆运动
- LINP precision linear bearings have the same dimensional accuracy as metal ball linear bearings, but with higher load carrying capacity and extremely low operating noise. The liners are made of TEFPLAS<sup>™</sup> compounds developed for maintenance-free and low friction coefficient, LINP linear bearings suitable for ± 200 °C operation temperature; LINP small gap operation with TEFPLAS<sup>™</sup> materials will not damage to the shaft and can clean the surface dirt.
- Self-lubricating, maintenance-free
- High precision and smooth operation
- Vibration reduction, no noise
- High-speed operation and long life
- Suitable for linear, rotary and swing motion

### LINP滑动膜材料 Liner materials

TEFPLAS<sup>™</sup> B 是LINP精密直线轴承标准滑动膜材料，综合高承载与耐磨特性，适用于硬度HRC35以上硬轴。

TEFPLAS<sup>™</sup> G 极好的耐磨性能，适用于硬轴、不锈钢轴或铝轴。

TEFPLAS<sup>™</sup> E 符合FDA食品接触安全材料，适用于不锈钢轴或铝轴。

TEFPLAS<sup>™</sup> B is a standard liner material for LINP precision linear bearings. It combines high load bearing and wear resistance performance, suitable for hard shaft HRC35 or higher.

TEFPLAS<sup>™</sup> G has excellent wear resistance, suitable for hard shaft, stainless steel shaft or aluminum shaft.

TEFPLAS<sup>™</sup> E FDA food contact safety materials, suitable for stainless steel shaft or aluminum shaft.

| 材料<br>Material         | 摩擦系数<br>Dry friction<br>coefficient | 最大静载荷<br>Max. static load<br>MPa | 最大动载荷<br>Max. dynamic load<br>MPa | 极限PV值<br>Max. PV<br>N/mm <sup>2</sup> x m/s | 最高干运行速度 (m/s)<br>Max. Speed, Dry running |                      | 运行温度*<br>Operation<br>temperature<br>°C |
|------------------------|-------------------------------------|----------------------------------|-----------------------------------|---|--|----------------------|---|
|                        |                                     |                                  |                                   |   | 连续运行<br>Continuous                       | 间断运行<br>Intermittent |   |
| TEFPLAS <sup>™</sup> B | 0.10-0.25                           | 20                               | 10                                | 0.7   | 1.5                                      | 4.0                  | ± 200                                   |
| TEFPLAS <sup>™</sup> G | 0.10-0.20                           | 16                               | 8                                 | 0.6   | 1.0                                      | 3.0                  | ± 200                                   |
| TEFPLAS <sup>™</sup> E | 0.05-0.18                           | 12                               | 6                                 | 0.4   | 1.0                                      | 2.0                  | ± 200                                   |

\*极端高温下运行需要考虑加大配合间隙消除轴与轴承高温膨胀引起的卡滞现象，请与CSB销售工程师联系

\*For operation under extreme high temperature, it is necessary to consider increasing the fitting clearance to avoid stagnation caused by the high temperature expansion of the shaft and bearing. Please contact CSB sales engineers

### 耐化学性 Chemical resistance

TEFPLAS<sup>™</sup>材料可在恶劣环境下使用，即使浸没在液体中也能表现出出色的性能。TEFPLAS<sup>™</sup> B材料中的填充物可能会受到去离子水和其它高强度化学物质腐蚀；TEFPLAS<sup>™</sup> G与TEFPLAS<sup>™</sup> B材料几乎对所有化学物质呈现惰性。

CSB-LIN<sup>™</sup> P 精密直线轴承标准壳体材料阳极氧化铝，较好的化学抗性适合大部分工业应用，同时可选配316不锈钢壳体适用于具有强腐蚀化学液体环境。

TEFPLAS<sup>™</sup> materials stand up to harsh environments and provide excellent performance in a submerged condition. TEFPLAS<sup>™</sup> B : the fillers in the material can be attacked by deionized water and other harsh chemicals.

TEFPLAS<sup>™</sup> G and TEFPLAS<sup>™</sup> E : almost universal chemical inertness.

The standard shell material is anodized aluminum of CSB-LIN<sup>™</sup> P precision linear bearings: good chemical resistance in most industrial applications, 316 stainless steel shell are available for corrosion resistance in harsh environments

### 寿命影响因素 Factors affecting wear rate and life

轴的表面粗糙度、硬度以及尺寸精度都会影响CSB-LIN<sup>™</sup> P 精密直线轴承的寿命  
最佳配合轴:

- 轴直径公差等级h6-h7，适用于所有TEFPLAS<sup>™</sup> 材料
- 表面粗糙度Ra0.2-0.4，适用于所有TEFPLAS<sup>™</sup> 材料
- 表面硬度HRC50，根据不同TEFPLAS<sup>™</sup> 材料可配合软轴

Affecting the life of CSB-LIN<sup>™</sup> P precision linear bearings: surface roughness, hardness and dimensional accuracy of the shaft

Recommend shafts for the best performance:

- Shaft diameter tolerance h6-h7, suitable for all TEFPLAS<sup>™</sup> materials
- Surface roughness Ra0.2-0.4, suitable for all TEFPLAS<sup>™</sup> materials
- Surface hardness HRC50, according to different TEFPLAS<sup>™</sup> materials and the soft shafts are available

### 偏心力 Eccentric forces

- 最大比例为2:1
- 1x = 同轴轴承距离
- 2x = 从轴到负载或驱动力的距离
- Maximum 2:1 ratio
- 1x = bearing separation on same shaft
- 2x = distance from shaft to load or force

小心：超过2:1比例时会发生爬行甚至卡死的现象！

CAUTION: uneven motion or even system blockage will occur if the 2:1 ratio is exceeded !

这个原则与负载无关！这不是由于边缘加载。它也不依赖于使用的驱动力！驱动力与轴承的距离越远，所需驱动力越大，磨损也越大。

可能还有其他因素会增加制动效果，但摩擦系数是主要原因。

注意：2:1法则是基于理论静摩擦系数0.25，然而，额外的润滑有助于降低摩擦并延长2:1的比例。

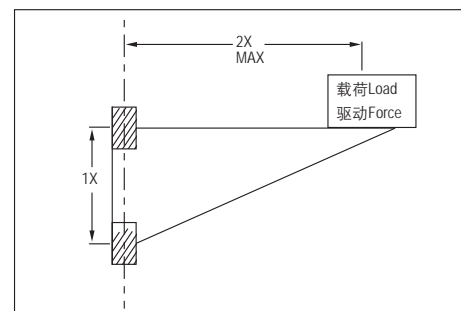
如果您有任何设计或安装方面的疑惑，请与我们的工程师联系。

This principle is NOT load dependent! It is NOT due to edge loading. It is also NOT dependent on the driving force used! The greater the distance between the drive and guide bearings, the higher the degree of wear and required drive force.

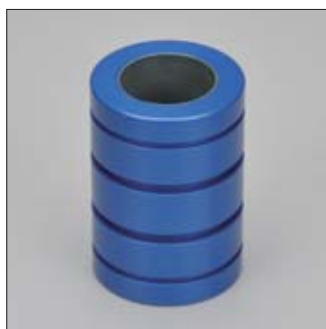
There may be other factors that add to the braking effect, but the coefficient of friction is the main cause.

NOTE: The Rule(2:1) is based on the static friction value of 0.25 theoretically, However, Additional lubrication can help to drop friction and extend the 2:1 ratio.

If you have any questions on design and/or assembly, please contact our application engineers.

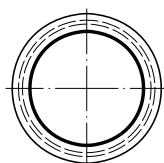
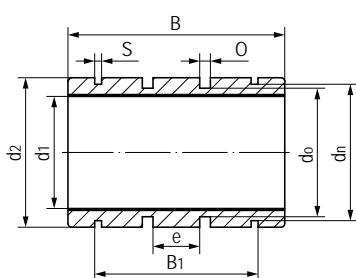


## LINP-11R 封闭式精密直线轴承 Precision linear bearings, closed



- 封闭式长设计
- 高精度与滚珠轴承相同
- 标准滑动膜材料TEFPLAS™ B  
可选高耐磨材料TEFPLAS™ G和符合FDA标准材料TEFPLAS™ E
- 阳极氧化铝合金适配器
- 卡簧轴向固定
- 免维护、低噪音
- 使用温度  $\pm 200^{\circ}\text{C}$
- Closed and long design
- High precision similar to preloaded ball bearing
- Standard liner material TEFPLAS™ B  
Available materials: TEFPLAS™ G and E
- Anodized aluminum adapter
- Axial secured by circlips
- Maintenance-free and low noise
- Operation temperature  $\pm 200^{\circ}\text{C}$

### 标准规格 Standard specifications



产品编码 Part No.:

**LINPB-11R-08**

内径 Inner diameter

 封闭式保持器  
Closed housing

长设计 Long design

滑动膜材料 Liner material: B/G/E

座孔 Housing: H7 轴 Shaft: h6-h7

| 产品编码<br>Part No. | d <sub>1</sub><br>[mm] | 公差<br>Tolerance<br>[mm] | d <sub>2</sub> h6<br>[mm] | B h10<br>[mm] | B <sub>1</sub> H10<br>[mm] | d <sub>0</sub> h10<br>[mm] | s H10<br>[mm] | O H10<br>[mm] | d <sub>o</sub> H10<br>[mm] | e<br>[mm] |
|------------------|------------------------|-------------------------|---------------------------|---------------|----------------------------|----------------------------|---------------|---------------|----------------------------|-----------|
| LINPB-11R-08     | 8                      | +0.013/+0.035           | 16                        | 25            | 16.2                       | 15.2                       | 1.1           | 1.86          | 13.20                      | 5         |
| LINPB-11R-10     | 10                     | +0.013/+0.035           | 19                        | 29            | 21.6                       | 17.5                       | 1.3           | 1.86          | 15.40                      | 5         |
| LINPB-11R-12     | 12                     | +0.016/+0.043           | 22                        | 32            | 22.6                       | 20.5                       | 1.3           | 1.86          | 18.40                      | 6         |
| LINPB-11R-16     | 16                     | +0.016/+0.043           | 26                        | 36            | 24.6                       | 24.2                       | 1.3           | 2.86          | 20.40                      | 8         |
| LINPB-11R-20     | 20                     | +0.020/+0.053           | 32                        | 45            | 31.2                       | 29.6                       | 1.6           | 2.86          | 26.40                      | 10        |
| LINPB-11R-25     | 25                     | +0.020/+0.053           | 40                        | 58            | 43.7                       | 36.5                       | 1.85          | 2.86          | 34.40                      | 12.5      |
| LINPB-11R-30     | 30                     | +0.020/+0.053           | 47                        | 68            | 51.7                       | 43.5                       | 1.85          | 2.86          | 41.40                      | 15        |
| LINPB-11R-40     | 40                     | +0.020/+0.064           | 62                        | 80            | 60.3                       | 57.8                       | 2.15          | 2.86          | 56.40                      | 20        |
| LINPB-11R-50     | 50                     | +0.020/+0.064           | 75                        | 100           | 77.3                       | 70.5                       | 2.65          | 2.86          | 69.40                      | 25        |

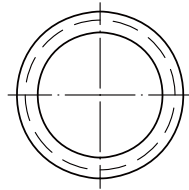
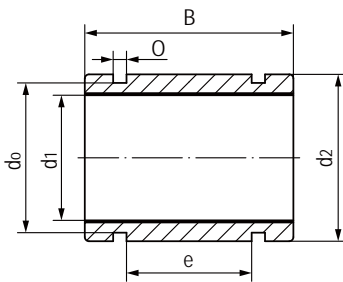
| 产品编码<br>Part No. | 轴径 Shaft<br>[mm] | 座孔 Housing<br>[mm] H7 | F max. [N]<br>最大动载荷 Dynamic Load P=5MPa |       |       | F max. [N]<br>最大静载荷 Static Load P=35MPa |       |       | 重量 Weight<br>[g] |
|------------------|------------------|-----------------------|---|-------|-------|---|-------|-------|------------------|
|                  |                  |                       | B                                       | G     | E     | B                                       | G     | E     |                  |
| LINPB-11R-08     | 8                | 16                    | 2000                                    | 1600  | 1200  | 4000                                    | 3200  | 2400  | 8                |
| LINPB-11R-10     | 10               | 19                    | 2900                                    | 2320  | 1740  | 5800                                    | 4640  | 3480  | 15               |
| LINPB-11R-12     | 12               | 22                    | 3840                                    | 3072  | 2304  | 7680                                    | 6144  | 4608  | 18               |
| LINPB-11R-16     | 16               | 26                    | 5760                                    | 4608  | 3456  | 11520                                   | 9216  | 6912  | 39               |
| LINPB-11R-20     | 20               | 32                    | 9000                                    | 7200  | 5400  | 18000                                   | 14400 | 10800 | 52               |
| LINPB-11R-25     | 25               | 40                    | 14500                                   | 11600 | 8700  | 29000                                   | 23200 | 17400 | 119              |
| LINPB-11R-30     | 30               | 47                    | 20400                                   | 16320 | 12240 | 40800                                   | 32640 | 24480 | 149              |
| LINPB-11R-40     | 40               | 62                    | 32000                                   | 25600 | 19200 | 64000                                   | 51200 | 38400 | 333              |
| LINPB-11R-50     | 50               | 75                    | 50000                                   | 40000 | 30000 | 100000                                  | 80000 | 60000 | 823              |

### LINP-12R 短型直线轴承 Linear bearings, closed, short design



- 封闭式短型设计
- 高精度与滚珠轴承相同
- 标准滑动膜材料TEFPLAS<sup>™</sup> B  
可选高耐磨材料TEFPLAS<sup>™</sup> G和符合FDA标准材料TEFPLAS<sup>™</sup> E
- 阳极氧化铝合金适配器
- 过盈配合压装
- 免维护、低噪音
- 使用温度  $\pm 200^{\circ}\text{C}$
- Closed and short design
- High precision similar to preloaded ball bearing
- Standard liner material TEFPLAS<sup>™</sup> B  
Available materials: TEFPLAS<sup>™</sup> G and E
- Anodized aluminum adapter
- Assembly by press fitting
- Maintenance-free and low noise
- Operation temperature  $\pm 200^{\circ}\text{C}$

### 标准规格 Standard specifications



产品编码 Part No.:

LINPB-12R-08

内径 Inner diameter

封闭式保持器  
Closed housing

短设计 Short design

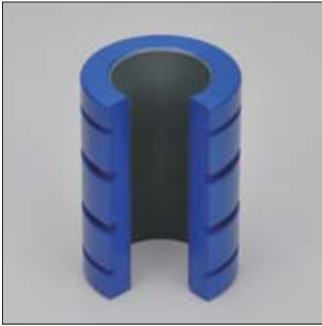
滑动膜材料 Liner material: B/G/E

座孔 Housing: H7 轴 Shaft: h6-h7

| 产品编码<br>Part No. | d <sub>1</sub><br>[mm] | 公差 Tolerance<br>[mm] | d <sub>2</sub> h7<br>[mm] | B h10<br>[mm] | O H10<br>[mm] | d <sub>o</sub> H10<br>[mm] | e<br>[mm] |
|------------------|------------------------|----------------------|---------------------------|---------------|---------------|----------------------------|-----------|
| LINPB-12R-08     | 8                      | +0.013/+0.035        | 15                        | 24            | 2             | 12.2                       | 10        |
| LINPB-12R-10     | 10                     | +0.013/+0.035        | 17                        | 26            | 2             | 14.4                       | 12        |
| LINPB-12R-12     | 12                     | +0.016/+0.043        | 19                        | 28            | 2             | 16.6                       | 14        |
| LINPB-12R-16     | 16                     | +0.016/+0.043        | 24                        | 30            | 2             | 21.3                       | 14        |
| LINPB-12R-20     | 20                     | +0.020/+0.053        | 28                        | 30            | 2             | 25.5                       | 14        |
| LINPB-12R-25     | 25                     | +0.020/+0.053        | 35                        | 40            | 3.2           | 30.9                       | 22        |
| LINPB-12R-30     | 30                     | +0.020/+0.053        | 40                        | 50            | 3.2           | 35.9                       | 30        |
| LINPB-12R-40     | 40                     | +0.020/+0.064        | 52                        | 60            | 4.1           | 46.2                       | 40        |
| LINPB-12R-50     | 50                     | +0.020/+0.064        | 62                        | 70            | 4.1           | 56.3                       | 50        |

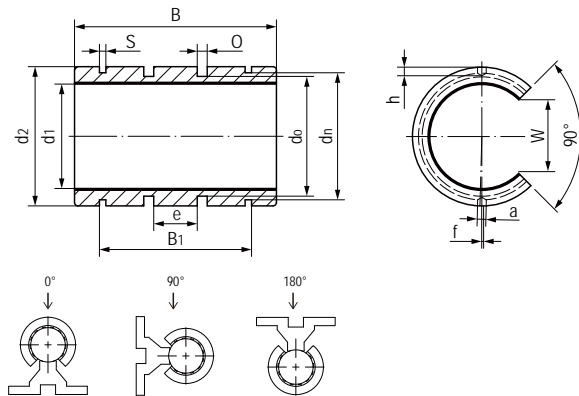
| 产品编码<br>Part No. | 轴径 Shaft<br>[mm] | 座孔 Housing<br>[mm] H7 | F max. [N]<br>最大动载荷 Dynamic Load P=5MPa |       |       | F max. [N]<br>最大静载荷 Static Load P=35MPa |       |       | 重量 Weight<br>[g] |
|------------------|------------------|-----------------------|---|-------|-------|---|-------|-------|------------------|
|                  |                  |                       | B                                       | G     | E     | B                                       | G     | E     |                  |
| LINPB-12R-08     | 8                | 15                    | 1920                                    | 1536  | 1152  | 3840                                    | 3072  | 2304  | 7                |
| LINPB-12R-10     | 10               | 17                    | 2600                                    | 2080  | 1560  | 5200                                    | 4160  | 3120  | 9                |
| LINPB-12R-12     | 12               | 19                    | 3360                                    | 2688  | 2016  | 6720                                    | 5376  | 4032  | 11               |
| LINPB-12R-16     | 16               | 24                    | 4800                                    | 3840  | 2880  | 9600                                    | 7680  | 5760  | 18               |
| LINPB-12R-20     | 20               | 28                    | 6000                                    | 4800  | 3600  | 12000                                   | 9600  | 7200  | 23               |
| LINPB-12R-25     | 25               | 35                    | 10000                                   | 8000  | 6000  | 20000                                   | 16000 | 12000 | 44               |
| LINPB-12R-30     | 30               | 40                    | 15000                                   | 12000 | 9000  | 30000                                   | 24000 | 18000 | 65               |
| LINPB-12R-40     | 40               | 52                    | 24000                                   | 19200 | 14400 | 48000                                   | 38400 | 28800 | 123              |
| LINPB-12R-50     | 50               | 62                    | 35000                                   | 28000 | 21000 | 70000                                   | 56000 | 42000 | 177              |

## LINP-11RK 开口式直线轴承 Linear bearings, open



- 开口设计，配合支撑轴
  - 高精度与滚珠轴承相同
  - 标准滑动膜材料TEFPLAS™ B  
可选高耐磨材料TEFPLAS™ G和符合FDA标准材料TEFPLAS™ E
  - 阳极氧化铝合金适配器
  - 免维护、低噪音
  - 使用温度 ± 200℃
- Open design for supported shafts
  - High precision similar to preloaded ball bearing
  - Standard liner material TEFPLAS™ B  
Available materials: TEFPLAS™ G and E
  - Anodized aluminum adapter
  - Maintenance-free and low noise
  - Operation temperature ± 200℃

## 标准规格 Standard specifications



产品编码 Part No.:

**LINPB-11RK-08**

- 内径 Inner diameter
- 开口式保持器  
Open, aluminum adapter
- 长设计 Long design
- 滑动膜材料 Liner material: B/G/E

座孔 Housing: H7 轴 Shaft: h6-h7

| 产品编码<br>Part No. | d <sub>1</sub><br>[mm] | 公差 Tolerance<br>[mm] | d <sub>2</sub> h6<br>[mm] | B h10<br>[mm] | B <sub>1</sub> H10<br>[mm] | d <sub>1</sub> h10<br>[mm] | s H10<br>[mm] | O H10<br>[mm] | d <sub>o</sub> H10<br>[mm] | e<br>[mm] | W-1<br>[mm] | a+0.1<br>[mm] | h<br>[mm] | f ± 0.2<br>[mm] |
|------------------|------------------------|----------------------|---------------------------|---------------|----------------------------|----------------------------|---------------|---------------|----------------------------|-----------|-------------|---------------|-----------|-----------------|
| LINPB-11RK-08    | 8                      | +0.013/+0.035        | 16                        | 25            | 16.0                       | 15.2                       | 1.10          | 1.86          | 13.20                      | 5         | 5.50        | /             | /         | /               |
| LINPB-11RK-10    | 10                     | +0.013/+0.035        | 19                        | 29            | 21.6                       | 17.5                       | 1.30          | 1.86          | 15.40                      | 5         | 7.30        | /             | /         | /               |
| LINPB-11RK-12    | 12                     | +0.016/+0.043        | 22                        | 32            | 22.6                       | 20.5                       | 1.30          | 1.86          | 18.40                      | 6         | 9.00        | 3.0           | 1.2       | 1.33(7°)        |
| LINPB-11RK-16    | 16                     | +0.016/+0.043        | 26                        | 36            | 24.6                       | 24.2                       | 1.30          | 2.86          | 20.40                      | 8         | 11.60       | 2.2           | 1.2       | /               |
| LINPB-11RK-20    | 20                     | +0.020/+0.053        | 32                        | 45            | 31.2                       | 29.6                       | 1.60          | 2.86          | 26.40                      | 10        | 12.00       | 2.2           | 1.2       | /               |
| LINPB-11RK-25    | 25                     | +0.020/+0.053        | 40                        | 58            | 43.7                       | 36.5                       | 1.85          | 2.86          | 34.40                      | 12.5      | 14.50       | 3.0           | 1.5       | -1.50(-4.3°)    |
| LINPB-11RK-30    | 30                     | +0.020/+0.053        | 47                        | 68            | 51.7                       | 43.5                       | 1.85          | 2.86          | 41.40                      | 15        | 16.60       | 3.0           | 2.0       | 2.00(4.9°)      |
| LINPB-11RK-40    | 40                     | +0.020/+0.064        | 62                        | 80            | 60.3                       | 57.8                       | 2.15          | 2.86          | 56.40                      | 20        | 21.00       | 3.0           | 2.0       | 1.50(2.8°)      |
| LINPB-11RK-50    | 50                     | +0.020/+0.064        | 75                        | 100           | 77.3                       | 70.5                       | 2.65          | 2.86          | 69.40                      | 25        | 25.50       | 3.0           | 2.0       | 2.50(3.8°)      |

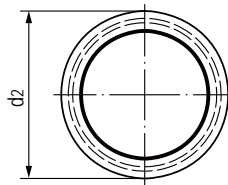
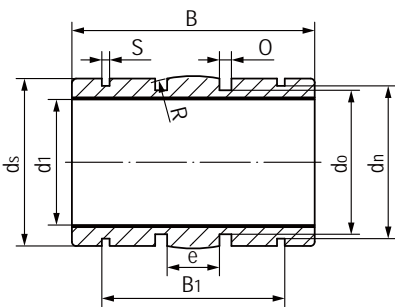
| 产品编码<br>Part No. | 轴径 Shaft<br>[mm] | 座孔 Housing<br>[mm] H7 | F max. [N] 材料 Material: B<br>最大动载荷 Dynamic Load P=5MPa |       |       | F max. [N] 材料 Material: B<br>最大静载荷 Static Load P=35MPa |       |       | 重量 Weight<br>[g] |
|------------------|------------------|-----------------------|--|-------|-------|--|-------|-------|------------------|
|                  |                  |                       | 0°   | 90°   | 180°  | 0°   | 90°   | 180°  |                  |
| LINPB-11RK-08    | 8                | 16                    | 2000   | 1725  | 625   | 4000   | 3450  | 1250  | 8                |
| LINPB-11RK-10    | 10               | 19                    | 2900   | 2442  | 783   | 5800   | 4884  | 1566  | 11               |
| LINPB-11RK-12    | 12               | 22                    | 3840   | 3190  | 960   | 7680   | 6381  | 1920  | 15               |
| LINPB-11RK-16    | 16               | 26                    | 5760   | 4864  | 1584  | 11520  | 9727  | 3168  | 21               |
| LINPB-11RK-20    | 20               | 32                    | 9000   | 8100  | 3600  | 18000  | 16200 | 7200  | 42               |
| LINPB-11RK-25    | 25               | 40                    | 14500  | 13154 | 6090  | 29000  | 26309 | 12180 | 70               |
| LINPB-11RK-30    | 30               | 47                    | 20400  | 18700 | 9112  | 40800  | 37400 | 18224 | 132              |
| LINPB-11RK-40    | 40               | 62                    | 32000  | 29600 | 15200 | 64000  | 59200 | 30400 | 278              |
| LINPB-11RK-50    | 50               | 75                    | 50000  | 46650 | 25000 | 100000   | 93300 | 50000 | 479              |

### LINP-11RS 调心直线轴承 Floating linear bearings, closed



- 封闭式自动调心设计
- 高精度与滚珠轴承相同
- 标准滑动膜材料TEFPLAS<sup>™</sup> B  
可选高耐磨材料TEFPLAS<sup>™</sup> G和符合FDA标准材料TEFPLAS<sup>™</sup> E
- 阳极氧化铝合金适配器
- 卡簧轴向固定
- 免维护、低噪音
- 使用温度 ± 200 °C
- Closed and self-aligning design
- High precision similar to preloaded ball bearing
- Standard liner material TEFPLAS<sup>™</sup> B  
Available materials: TEFPLAS<sup>™</sup> G and E
- Anodized aluminum adapter
- Axial secured by circlips
- Maintenance-free and low noise
- Operation temperature ± 200 °C

### 标准规格 Standard specifications



产品编码 Part No.:

LINPB-11RS-10

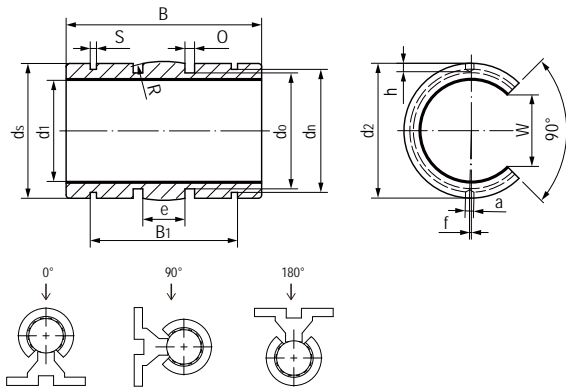
- 内径 Inner diameter
- 自调整保持器  
Automatic alignment aluminum adapter
- 长设计 Long design
- 滑动膜材料 Liner material: B/G/E
- 座孔 Housing: H7 轴 Shaft: h6-h7

| 产品编码<br>Part No. | d <sub>1</sub><br>[mm] | 公差 Tolerance<br>[mm] | d <sub>2</sub> h6<br>[mm] | B h10<br>[mm] | B <sub>1</sub> H10<br>[mm] | S H10<br>[mm] | d <sub>n</sub> h10<br>[mm] | d <sub>s</sub> h10<br>[mm] | d <sub>s</sub> h10<br>[mm] | O <sub>0.1</sub><br>[mm] | e<br>[mm] | R<br>[mm] |
|------------------|------------------------|----------------------|---------------------------|---------------|----------------------------|---------------|----------------------------|----------------------------|----------------------------|--------------------------|-----------|-----------|
| LINPB-11RS-08    | 8                      | +0.013/+0.035        | 15.8                      | 25            | 16.4                       | 1.1           | 15.0                       | 15.5                       | 13.20                      | 1.86                     | 5.0       | 20        |
| LINPB-11RS-10    | 10                     | +0.013/+0.035        | 18.8                      | 29            | 21.8                       | 1.3           | 17.5                       | 18.5                       | 15.40                      | 1.86                     | 5.0       | 13        |
| LINPB-11RS-12    | 12                     | +0.016/+0.043        | 21.8                      | 32            | 22.8                       | 1.3           | 20.5                       | 21.5                       | 18.40                      | 1.86                     | 6.0       | 18        |
| LINPB-11RS-16    | 16                     | +0.016/+0.043        | 25.8                      | 36            | 24.9                       | 1.3           | 24.2                       | 25.5                       | 20.40                      | 2.86                     | 8.0       | 32        |
| LINPB-11RS-20    | 20                     | +0.020/+0.053        | 31.8                      | 45            | 31.5                       | 1.6           | 29.6                       | 31.5                       | 26.40                      | 2.86                     | 10.0      | 50        |
| LINPB-11RS-25    | 25                     | +0.020/+0.053        | 39.8                      | 58            | 44.1                       | 1.85          | 36.5                       | 39.0                       | 34.40                      | 2.86                     | 12.5      | 39        |
| LINPB-11RS-30    | 30                     | +0.020/+0.053        | 46.7                      | 68            | 52.1                       | 1.85          | 43.5                       | 46.0                       | 41.40                      | 2.86                     | 15.0      | 57        |
| LINPB-11RS-40    | 40                     | +0.020/+0.064        | 61.7                      | 80            | 60.9                       | 2.15          | 57.8                       | 61.0                       | 56.40                      | 2.86                     | 20.0      | 100       |
| LINPB-11RS-50    | 50                     | +0.020/+0.064        | 74.7                      | 100           | 78.0                       | 2.65          | 70.5                       | 74.0                       | 69.40                      | 2.86                     | 25.0      | 157       |

| 产品编码<br>Part No. | 轴径 Shaft<br>[mm] | 座孔 Housing<br>[mm] H7 | F max. [N]<br>最大动载荷 Dynamic Load P=5MPa |       |       | F max. [N]<br>最大静载荷 Static Load P=35MPa |       |       | 重量 Weight<br>[g] |
|------------------|------------------|-----------------------|---|-------|-------|---|-------|-------|------------------|
|                  |                  |                       | B                                       | G     | E     | B                                       | G     | E     |                  |
| LINPB-11RS-08    | 8                | 16                    | 2000                                    | 1600  | 1200  | 4000                                    | 3200  | 2400  | 8                |
| LINPB-11RS-10    | 10               | 19                    | 2900                                    | 2320  | 1740  | 5800                                    | 4640  | 3480  | 15               |
| LINPB-11RS-12    | 12               | 22                    | 3840                                    | 3072  | 2304  | 7680                                    | 6144  | 4608  | 18               |
| LINPB-11RS-16    | 16               | 26                    | 5760                                    | 4608  | 3456  | 11520                                   | 9216  | 6912  | 39               |
| LINPB-11RS-20    | 20               | 32                    | 9000                                    | 7200  | 5400  | 18000                                   | 14400 | 10800 | 52               |
| LINPB-11RS-25    | 25               | 40                    | 14500                                   | 11600 | 8700  | 29000                                   | 23200 | 17400 | 119              |
| LINPB-11RS-30    | 30               | 47                    | 20400                                   | 16320 | 12240 | 40800                                   | 32640 | 24480 | 149              |
| LINPB-11RS-40    | 40               | 62                    | 32000                                   | 25600 | 19200 | 64000                                   | 51200 | 38400 | 333              |
| LINPB-11RS-50    | 50               | 75                    | 50000                                   | 40000 | 30000 | 100000                                  | 80000 | 60000 | 823              |

**LINP-11RSK 调心直线轴承 Floating linear bearings, open**


- 开口式自动调心设计
- 高精度与滚珠轴承相同
- 标准滑动膜材料TEFPLAS™ B  
可选高耐磨材料TEFPLAS™ G和符合FDA标准材料TEFPLAS™ E
- 阳极氧化铝合金适配器
- 免维护、低噪音
- 使用温度 ± 200 °C
- Open and self-aligning design
- High precision similar to preloaded ball bearing
- Standard liner material TEFPLAS™ B  
Available materials: TEFPLAS™ G and E
- Anodized aluminum adapter
- Maintenance-free and low noise
- Operation temperature ± 200 °C

**标准规格 Standard specifications**


产品编码 Part No.:

**LINPB-11RSK-10**

- 内径 Inner diameter
- 开口式自调整保持器  
Open, automatic alignment aluminum adapter
- 长设计 Long design
- 滑动膜材料 Liner material: B/G/E

座孔 Housing: H7 轴 Shaft: h6-h7

| 产品编码<br>Part No. | d <sub>1</sub><br>[mm] | 公差 Tolerance<br>[mm] | d <sub>2</sub> h7<br>[mm] | B h10<br>[mm] | B <sub>1</sub> H10<br>[mm] | S H10<br>[mm] | d <sub>1</sub> h10<br>[mm] | d <sub>2</sub> h10<br>[mm] | d <sub>3</sub> h10<br>[mm] | o+0.1<br>[mm] | e<br>[mm] | R<br>[mm] | W-1<br>[mm] | a+0.1<br>[mm] | h<br>[mm] | f ± 0.2<br>[mm] |
|------------------|------------------------|----------------------|---------------------------|---------------|----------------------------|---------------|----------------------------|----------------------------|----------------------------|---------------|-----------|-----------|-------------|---------------|-----------|-----------------|
| LINPB-11RSK-08   | 8                      | +0.013/+0.035        | 15.8                      | 25            | 16.4                       | 1.1           | 15.0                       | 15.5                       | 13.20                      | 1.86          | 5.50      | 20        | 5.50        | /             | /         | /               |
| LINPB-11RSK-10   | 10                     | +0.013/+0.035        | 18.8                      | 29            | 21.8                       | 1.3           | 17.5                       | 18.5                       | 15.40                      | 1.86          | 7.30      | 13        | 7.30        | /             | /         | /               |
| LINPB-11RSK-12   | 12                     | +0.016/+0.043        | 21.8                      | 32            | 22.8                       | 1.3           | 20.5                       | 21.5                       | 18.40                      | 1.86          | 9.00      | 18        | 9.00        | 3.0           | 1.2       | 1.33(7°)        |
| LINPB-11RSK-16   | 16                     | +0.016/+0.043        | 25.8                      | 36            | 24.9                       | 1.3           | 24.2                       | 25.5                       | 20.40                      | 2.86          | 11.60     | 32        | 11.60       | 2.2           | 1.2       | /               |
| LINPB-11RSK-20   | 20                     | +0.020/+0.053        | 31.8                      | 45            | 31.5                       | 1.6           | 29.6                       | 31.5                       | 26.40                      | 2.86          | 12.00     | 50        | 12.00       | 2.2           | 1.2       | /               |
| LINPB-11RSK-25   | 25                     | +0.020/+0.053        | 39.8                      | 58            | 44.1                       | 1.85          | 36.5                       | 39.0                       | 34.40                      | 2.86          | 14.50     | 39        | 14.50       | 3.0           | 1.5       | -1.50(-4.3°)    |
| LINPB-11RSK-30   | 30                     | +0.020/+0.053        | 46.7                      | 68            | 52.1                       | 1.85          | 43.5                       | 46.0                       | 41.40                      | 2.86          | 16.60     | 57        | 16.60       | 3.0           | 2.0       | 2.00(4.9°)      |
| LINPB-11RSK-40   | 40                     | +0.020/+0.064        | 61.7                      | 80            | 60.9                       | 2.15          | 57.8                       | 61.0                       | 56.40                      | 2.86          | 21.00     | 100       | 21.00       | 3.0           | 2.0       | 1.50(2.8°)      |
| LINPB-11RSK-50   | 50                     | +0.020/+0.064        | 74.7                      | 100           | 78.0                       | 2.65          | 70.5                       | 74.0                       | 69.40                      | 2.86          | 25.50     | 157       | 25.50       | 3.0           | 2.0       | 2.50(3.8°)      |

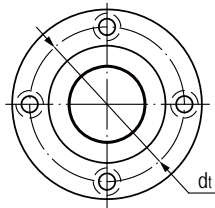
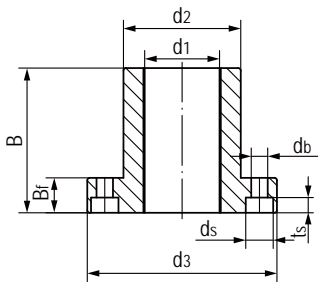
| 产品编码<br>Part No. | 轴径 Shaft<br>[mm] | 座孔 Housing<br>[mm] H7 | F max. [N] 材料 Material: B<br>最大动载荷 Dynamic Load P=5MPa |       |       | F max. [N] 材料 Material: B<br>最大静载荷 Static Load P=35MPa |       |       | 重量 Weight<br>[g] |
|------------------|------------------|-----------------------|--|-------|-------|--|-------|-------|------------------|
|                  |                  |                       | 0°   | 90°   | 180°  | 0°   | 90°   | 180°  |                  |
| LINPB-11RSK-08   | 8                | 16                    | 2000   | 1725  | 625   | 4000   | 3450  | 1250  | 8                |
| LINPB-11RSK-10   | 10               | 19                    | 2900   | 2442  | 783   | 5800   | 4884  | 1566  | 11               |
| LINPB-11RSK-12   | 12               | 22                    | 3840   | 3190  | 960   | 7680   | 6381  | 1920  | 15               |
| LINPB-11RSK-16   | 16               | 26                    | 5760   | 4864  | 1584  | 11520  | 9727  | 3168  | 21               |
| LINPB-11RSK-20   | 20               | 32                    | 9000   | 8100  | 3600  | 18000  | 16200 | 7200  | 42               |
| LINPB-11RSK-25   | 25               | 40                    | 14500  | 13154 | 6090  | 29000  | 26309 | 12180 | 70               |
| LINPB-11RSK-30   | 30               | 47                    | 20400  | 18700 | 9112  | 40800  | 37400 | 18224 | 132              |
| LINPB-11RSK-40   | 40               | 62                    | 32000  | 29600 | 15200 | 64000  | 59200 | 30400 | 278              |
| LINPB-11RSK-50   | 50               | 75                    | 50000  | 46650 | 25000 | 100000   | 93300 | 50000 | 479              |

### LINP-11RF 圆法兰直线轴承 Round flange linear bearings



- 封闭式圆法兰设计
- 高精度与滚珠轴承相同
- 标准滑动膜材料TEFPLAS<sup>™</sup> B  
可选高耐磨材料TEFPLAS<sup>™</sup> G和符合FDA标准材料TEFPLAS<sup>™</sup> E
- 阳极氧化铝合金适配器
- 螺栓固定
- 免维护、低噪音
- 使用温度 ± 200 °C
- Closed design with round flange
- High precision similar to preloaded ball bearing
- Standard liner material TEFPLAS<sup>™</sup> B  
Available materials: TEFPLAS<sup>™</sup> G and E
- Anodized aluminum adapter
- Secured by bolts
- Maintenance-free and low noise
- Operation temperature ± 200 °C

### 标准规格 Standard specifications



产品编码 Part No.:

LINPB-11RF-10

内径 Inner diameter

圆法兰保持器  
Round flange aluminum adapter

长设计 Long design

滑动膜材料 Liner material: B/G/E

座孔 Housing: H7 轴 Shaft: h6-h7

| 产品编码<br>Part No. | d <sub>1</sub><br>[mm] | 公差 Tolerance<br>[mm] | d <sub>2</sub><br>h7 [mm] | d <sub>1±0.15</sub><br>[mm] | d <sub>3</sub><br>[mm] | B<br>[mm] | B <sub>1</sub><br>[mm] | t <sub>s</sub><br>[mm] | d <sub>b</sub><br>[mm] | d <sub>s</sub><br>[mm] |
|------------------|------------------------|----------------------|---------------------------|-----------------------------|------------------------|-----------|------------------------|------------------------|------------------------|------------------------|
| LINPB-11RF-08    | 8                      | +0.013/+0.035        | 16                        | 24                          | 32                     | 25        | 8                      | 3.1                    | 3.5                    | 6.0                    |
| LINPB-11RF-10    | 10                     | +0.013/+0.035        | 19                        | 29                          | 39                     | 29        | 9                      | 4.1                    | 4.5                    | 7.5                    |
| LINPB-11RF-12    | 12                     | +0.016/+0.043        | 22                        | 32                          | 42                     | 32        | 9                      | 4.1                    | 4.5                    | 7.5                    |
| LINPB-11RF-16    | 16                     | +0.016/+0.043        | 26                        | 36                          | 46                     | 36        | 9                      | 4.1                    | 4.5                    | 7.5                    |
| LINPB-11RF-20    | 20                     | +0.020/+0.053        | 32                        | 43                          | 54                     | 45        | 11                     | 5.1                    | 5.5                    | 9.0                    |
| LINPB-11RF-25    | 25                     | +0.020/+0.053        | 40                        | 51                          | 62                     | 58        | 11                     | 5.1                    | 5.5                    | 9.0                    |
| LINPB-11RF-30    | 30                     | +0.020/+0.053        | 47                        | 62                          | 76                     | 68        | 14                     | 6.1                    | 6.6                    | 11.0                   |
| LINPB-11RF-40    | 40                     | +0.020/+0.064        | 62                        | 80                          | 98                     | 80        | 18                     | 8.1                    | 9.0                    | 14.0                   |
| LINPB-11RF-50    | 50                     | +0.020/+0.064        | 75                        | 94                          | 112                    | 100       | 18                     | 8.1                    | 9.0                    | 14.0                   |

| 产品编码<br>Part No. | 轴径 Shaft<br>[mm] | 座孔 Housing<br>[mm] H7 | F max. [N]<br>最大动载荷 Dynamic Load P=5MPa |       |       | F max. [N]<br>最大静载荷 Static Load P=35MPa |       |       | 重量 Weight<br>[g] |
|------------------|------------------|-----------------------|---|-------|-------|---|-------|-------|------------------|
|                  |                  |                       | B                                       | G     | E     | B                                       | G     | E     |                  |
| LINPB-11RF-08    | 8                | 16                    | 2000                                    | 1600  | 1200  | 4000                                    | 3200  | 2400  | 20               |
| LINPB-11RF-10    | 10               | 19                    | 2900                                    | 2320  | 1740  | 5800                                    | 4640  | 3480  | 34               |
| LINPB-11RF-12    | 12               | 22                    | 3840                                    | 3072  | 2304  | 7680                                    | 6144  | 4608  | 43               |
| LINPB-11RF-16    | 16               | 26                    | 5760                                    | 4608  | 3456  | 11520                                   | 9216  | 6912  | 54               |
| LINPB-11RF-20    | 20               | 32                    | 9000                                    | 7200  | 5400  | 18000                                   | 14400 | 10800 | 91               |
| LINPB-11RF-25    | 25               | 40                    | 14500                                   | 11600 | 8700  | 29000                                   | 23200 | 17400 | 154              |
| LINPB-11RF-30    | 30               | 47                    | 20400                                   | 16320 | 12240 | 40800                                   | 32640 | 24480 | 266              |
| LINPB-11RF-40    | 40               | 62                    | 32000                                   | 25600 | 19200 | 64000                                   | 51200 | 38400 | 555              |
| LINPB-11RF-50    | 50               | 75                    | 50000                                   | 40000 | 30000 | 100000                                  | 80000 | 60000 | 852              |

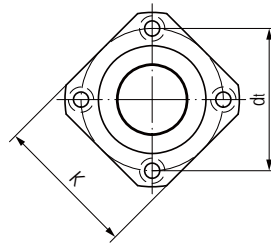
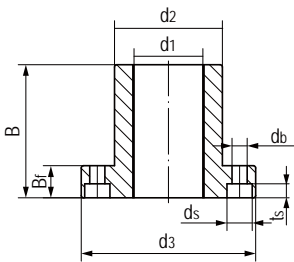


## LINP-11RT 方法兰塑料直线轴承 Angular flang linear bearings



- 封闭式方法兰设计
- 高精度与滚珠轴承相同
- 标准滑动膜材料TEFPLAS™ B  
可选高耐磨材料TEFPLAS™ G和符合FDA标准材料TEFPLAS™ E
- 阳极氧化铝合金适配器
- 螺栓固定
- 免维护、低噪音
- 使用温度  $\pm 200^{\circ}\text{C}$
- Closed design with square flange
- High precision similar to preloaded ball bearing
- Standard liner material TEFPLAS™ B  
Availilabe materials: TEFPLAS™ G and E
- Anodized aluminum adapter
- Secured by bolts
- Maintenance-free and low noise
- Operation temperature  $\pm 200^{\circ}\text{C}$

### 标准规格 Standard specifications



产品编码 Part No.:

LINPB-11RT-10

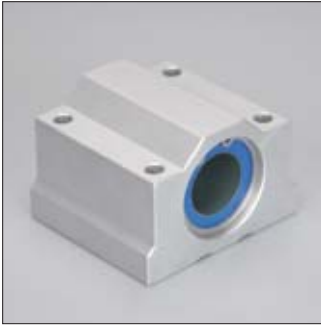
- 内径 Inner diameter
- 方法兰保持器  
Angular flange aluminum adapter
- 长设计 Long design
- 滑动膜材料 Liner material: B/G/E

座孔 Housing: H7 轴 Shaft: h6-h7

| 产品编码<br>Part No. | d <sub>1</sub><br>[mm] | 公差 Tolerance<br>[mm] | d <sub>2</sub><br>h7 [mm] | d <sub>1±0.15</sub><br>[mm] | d <sub>3</sub><br>[mm] | B<br>[mm] | B <sub>f</sub><br>[mm] | t <sub>s</sub><br>[mm] | d <sub>b</sub><br>[mm] | d <sub>s</sub><br>[mm] | K <sub>±0.15</sub><br>[mm] |
|------------------|------------------------|----------------------|---------------------------|-----------------------------|------------------------|-----------|------------------------|------------------------|------------------------|------------------------|----------------------------|
| LINPB-11RT-08    | 8                      | +0.013/+0.035        | 16                        | 24                          | 32                     | 25        | 8                      | 3.1                    | 3.5                    | 6.0                    | 25                         |
| LINPB-11RT-10    | 10                     | +0.013/+0.035        | 19                        | 29                          | 39                     | 29        | 9                      | 4.1                    | 4.5                    | 7.5                    | 30                         |
| LINPB-11RT-12    | 12                     | +0.016/+0.043        | 22                        | 32                          | 42                     | 32        | 9                      | 4.1                    | 4.5                    | 7.5                    | 32                         |
| LINPB-11RT-16    | 16                     | +0.016/+0.043        | 26                        | 36                          | 46                     | 36        | 9                      | 4.1                    | 4.5                    | 7.5                    | 35                         |
| LINPB-11RT-20    | 20                     | +0.020/+0.053        | 32                        | 43                          | 54                     | 45        | 11                     | 5.1                    | 5.5                    | 9.0                    | 42                         |
| LINPB-11RT-25    | 25                     | +0.020/+0.053        | 40                        | 51                          | 62                     | 58        | 11                     | 5.1                    | 5.5                    | 9.0                    | 50                         |
| LINPB-11RT-30    | 30                     | +0.020/+0.053        | 47                        | 62                          | 76                     | 68        | 14                     | 6.1                    | 6.6                    | 11.0                   | 60                         |
| LINPB-11RT-40    | 40                     | +0.020/+0.064        | 62                        | 80                          | 98                     | 80        | 18                     | 8.1                    | 9.0                    | 14.0                   | 75                         |
| LINPB-11RT-50    | 50                     | +0.020/+0.064        | 75                        | 94                          | 112                    | 100       | 18                     | 8.1                    | 9.0                    | 14.0                   | 88                         |

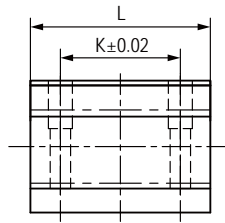
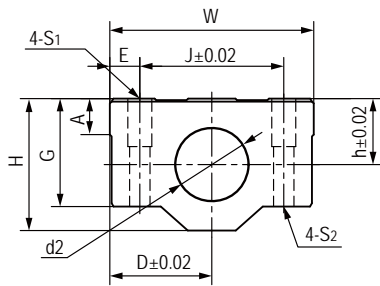
| 产品编码<br>Part No. | 轴径 Shaft<br>[mm] | 座孔 Housing<br>[mm] H7 | F max. [N]<br>最大动载荷 Dynamic Load P=5MPa |       |       | F max. [N]<br>最大静载荷 Static Load P=35MPa |       |       | 重量 Weight<br>[g] |
|------------------|------------------|-----------------------|---|-------|-------|---|-------|-------|------------------|
|                  |                  |                       | B                                       | G     | E     | B                                       | G     | E     |                  |
| LINPB-11RT-08    | 8                | 16                    | 2000                                    | 1600  | 1200  | 4000                                    | 3200  | 2400  | 20               |
| LINPB-11RT-10    | 10               | 19                    | 2900                                    | 2320  | 1740  | 5800                                    | 4640  | 3480  | 34               |
| LINPB-11RT-12    | 12               | 22                    | 3840                                    | 3072  | 2304  | 7680                                    | 6144  | 4608  | 43               |
| LINPB-11RT-16    | 16               | 26                    | 5760                                    | 4608  | 3456  | 11520                                   | 9216  | 6912  | 54               |
| LINPB-11RT-20    | 20               | 32                    | 9000                                    | 7200  | 5400  | 18000                                   | 14400 | 10800 | 91               |
| LINPB-11RT-25    | 25               | 40                    | 14500                                   | 11600 | 8700  | 29000                                   | 23200 | 17400 | 154              |
| LINPB-11RT-30    | 30               | 47                    | 20400                                   | 16320 | 12240 | 40800                                   | 32640 | 24480 | 266              |
| LINPB-11RT-40    | 40               | 62                    | 32000                                   | 25600 | 19200 | 64000                                   | 51200 | 38400 | 555              |
| LINPB-11RT-50    | 50               | 75                    | 50000                                   | 40000 | 30000 | 100000                                  | 80000 | 60000 | 852              |

### LINP-11G 标准设计直线轴承座 Pillow blocks, standard design



- 封闭式带轴承座设计
- 高精度与滚珠轴承相同
- 标准滑动膜材料TEFPLAS™ B  
可选高耐磨材料TEFPLAS™ G和符合FDA标准材料TEFPLAS™ E
- 阳极氧化铝合金座孔
- 螺栓固定
- 免维护、低噪音
- 使用温度 ± 200℃
- Closed design with housing
- High precision similar to preloaded ball bearing
- Standard liner material TEFPLAS™ B  
Available materials: TEFPLAS™ G and E
- Anodized aluminum housing
- Secured by bolts
- Maintenance-free and low noise
- Operation temperature ± 200℃

### 标准规格 Standard specifications



产品编码 Part No.:

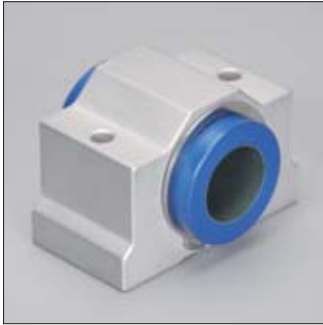


轴 Shaft: h6-h7

| 产品编码<br>Part No. | 内装轴承<br>Bearing<br>[mm] | 轴径<br>Shaft<br>[mm] | 尺寸 Size [mm] |    |     |      |      |    |     |     |                |                |    |     |
|------------------|-------------------------|---------------------|--------------|----|-----|------|------|----|-----|-----|----------------|----------------|----|-----|
|                  |                         |                     | h            | D  | W   | H    | G    | A  | J   | E   | S <sub>1</sub> | S <sub>2</sub> | K  | L   |
| LINPB-11G-12     | LINPB-11R-12            | 12                  | 15           | 22 | 44  | 30   | 24   | 8  | 33  | 5.5 | M5*12          | Φ4.3           | 26 | 39  |
| LINPB-11G-16     | LINPB-11R-16            | 16                  | 19           | 25 | 50  | 38.5 | 32.5 | 9  | 36  | 7   | M5*12          | Φ4.3           | 34 | 44  |
| LINPB-11G-20     | LINPB-11R-20            | 20                  | 21           | 27 | 54  | 41   | 35   | 11 | 40  | 7   | M6*12          | Φ5.2           | 40 | 53  |
| LINPB-11G-25     | LINPB-11R-25            | 25                  | 26           | 38 | 76  | 51.5 | 41   | 12 | 54  | 11  | M8*12          | Φ7             | 50 | 67  |
| LINPB-11G-30     | LINPB-11R-30            | 30                  | 30           | 39 | 78  | 59.5 | 49   | 15 | 58  | 10  | M8*12          | Φ7             | 58 | 76  |
| LINPB-11G-40     | LINPB-11R-40            | 40                  | 40           | 51 | 102 | 78   | 62   | 20 | 80  | 11  | M10*25         | Φ8.7           | 60 | 90  |
| LINPB-11G-50     | LINPB-11R-50            | 50                  | 52           | 61 | 122 | 102  | 80   | 24 | 100 | 11  | M10*25         | Φ8.7           | 80 | 110 |

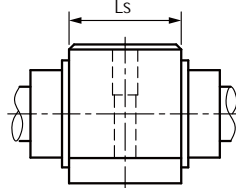
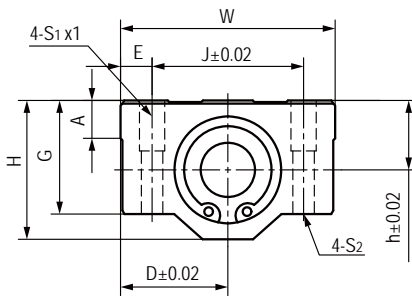
| 产品编码<br>Part No. | 内径ID<br>[mm] | 公差<br>Tolerance<br>[mm] | F max. [N]<br>最大动载荷 Dynamic Load P=5MPa |       |       | F max. [N]<br>最大静载荷 Static Load P=35MPa |       |       | 重量 Weight<br>[g] |
|------------------|--------------|-------------------------|---|-------|-------|---|-------|-------|------------------|
|                  |              |                         | B                                       | G     | E     | B                                       | G     | E     |                  |
| LINPB-11G-12     | 12           | +0.016/+0.043           | 3840                                    | 3072  | 2304  | 7680                                    | 6144  | 4608  | 79               |
| LINPB-11G-16     | 16           | +0.016/+0.043           | 5760                                    | 4608  | 3456  | 11520                                   | 9216  | 6912  | 125              |
| LINPB-11G-20     | 20           | +0.020/+0.053           | 9000                                    | 7200  | 5400  | 18000                                   | 14400 | 10800 | 159              |
| LINPB-11G-25     | 25           | +0.020/+0.053           | 14500                                   | 11600 | 8700  | 29000                                   | 23200 | 17400 | 343              |
| LINPB-11G-30     | 30           | +0.020/+0.053           | 20400                                   | 16320 | 12240 | 40800                                   | 32640 | 24480 | 450              |
| LINPB-11G-40     | 40           | +0.020/+0.064           | 32000                                   | 25600 | 19200 | 64000                                   | 51200 | 38400 | 1021             |
| LINPB-11G-50     | 50           | +0.020/+0.064           | 50000                                   | 40000 | 30000 | 100000                                  | 80000 | 60000 | 1871             |

## LINP-11GN 窄设计直线轴承座 Pillow blocks, short design



- 封闭式窄轴承座设计
- 高精度与滚珠轴承相同
- 标准滑动膜材料TEFPLAS™ B  
可选高耐磨材料TEFPLAS™ G和符合FDA标准材料TEFPLAS™ E
- 阳极氧化铝合金座孔
- 螺栓固定
- 免维护、低噪音
- 使用温度 ± 200℃
- Closed design with short housing
- High precision similar to preloaded ball bearing
- Standard liner material TEFPLAS™ B  
Avallabe materials: TEFPLAS™ G and E
- Anodized aluminum housing
- Secured by bolts
- Maintenance-free and low noise
- Operation temperature ± 200℃

## 标准规格 Standard specifications



产品编码 Part No.:

**LINPB-11GN-16**

轴承内径 Inner diameter

 窄设计直线轴承座  
Pillow block, short design

长设计 Long design

滑动膜材料 Liner material: B/G/E

轴 Shaft: h6-h7

| 产品编码<br>Part No. | 内装轴承<br>Bearing<br>[mm] | 轴径<br>Shaft<br>[mm] | 尺寸 Size [mm] |    |     |      |      |    |     |     |                |                |      |
|------------------|-------------------------|---------------------|--------------|----|-----|------|------|----|-----|-----|----------------|----------------|------|
|                  |                         |                     | h            | D  | W   | H    | G    | A  | J   | E   | S <sub>1</sub> | S <sub>2</sub> | L    |
| LINPB-11GN-12    | LINPB-11R-12            | 12                  | 15           | 22 | 44  | 30   | 24   | 8  | 33  | 5.5 | M5*12          | Φ4.3           | 20.3 |
| LINPB-11GN-16    | LINPB-11R-16            | 16                  | 19           | 25 | 50  | 38.5 | 32.5 | 9  | 36  | 7   | M5*12          | Φ4.3           | 22.3 |
| LINPB-11GN-20    | LINPB-11R-20            | 20                  | 21           | 27 | 54  | 41   | 35   | 11 | 40  | 7   | M6*12          | Φ5.2           | 28.3 |
| LINPB-11GN-25    | LINPB-11R-25            | 25                  | 26           | 38 | 76  | 51.5 | 41   | 12 | 54  | 11  | M8*12          | Φ7             | 40.4 |
| LINPB-11GN-30    | LINPB-11R-30            | 30                  | 30           | 39 | 78  | 59.5 | 49   | 15 | 58  | 10  | M8*12          | Φ7             | 48.4 |
| LINPB-11GN-40    | LINPB-11R-40            | 40                  | 40           | 51 | 102 | 78   | 62   | 20 | 80  | 11  | M10*25         | Φ8.7           | 56.4 |
| LINPB-11GN-50    | LINPB-11R-50            | 50                  | 52           | 61 | 122 | 102  | 80   | 24 | 100 | 11  | M10*25         | Φ8.7           | 72.3 |

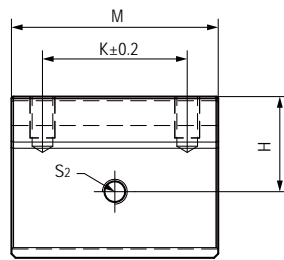
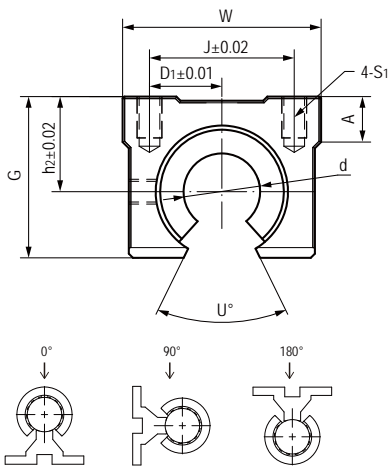
| 产品编码<br>Part No. | 内径ID<br>[mm] | 公差<br>Tolerance<br>[mm] | F max. [N]<br>最大动载荷 Dynamic Load P=5MPa |       |       | F max. [N]<br>最大静载荷 Static Load P=35MPa |       |       | 重量 Weight<br>[g] |
|------------------|--------------|-------------------------|---|-------|-------|---|-------|-------|------------------|
|                  |              |                         | B                                       | G     | E     | B                                       | G     | E     |                  |
| LINPB-11GN-12    | 12           | +0.016/+0.043           | 3840                                    | 3072  | 2304  | 7680                                    | 6144  | 4608  | 43               |
| LINPB-11GN-16    | 16           | +0.016/+0.043           | 5760                                    | 4608  | 3456  | 11520                                   | 9216  | 6912  | 67               |
| LINPB-11GN-20    | 20           | +0.020/+0.053           | 9000                                    | 7200  | 5400  | 18000                                   | 14400 | 10800 | 90               |
| LINPB-11GN-25    | 25           | +0.020/+0.053           | 14500                                   | 11600 | 8700  | 29000                                   | 23200 | 17400 | 193              |
| LINPB-11GN-30    | 30           | +0.020/+0.053           | 20400                                   | 16320 | 12240 | 40800                                   | 32640 | 24480 | 260              |
| LINPB-11GN-40    | 40           | +0.020/+0.064           | 32000                                   | 25600 | 19200 | 64000                                   | 51200 | 38400 | 641              |
| LINPB-11GN-50    | 50           | +0.020/+0.064           | 50000                                   | 40000 | 30000 | 100000                                  | 80000 | 60000 | 852              |

### LINP-11GK 标准型开口直线轴承座 Open pillow blocks



- 开口型轴承座设计
- 高精度与滚珠轴承相同
- 标准滑动膜材料TEFPLAS™ B  
可选高耐磨材料TEFPLAS™ G和符合FDA标准材料TEFPLAS™ E
- 阳极氧化铝合金座孔
- 螺栓固定
- 免维护、低噪音
- 使用温度 ± 200℃
- Open housing design
- High precision similar to preloaded ball bearing
- Standard liner material TEFPLAS™ B  
Available materials: TEFPLAS™ G and E
- Anodized aluminum housing
- Secured by bolts
- Maintenance-free and low noise
- Operation temperature ± 200℃

### 标准规格 Standard specifications



产品编码 Part No.:

LINPB-11GK-16

轴承内径 Inner diameter

开口设计直线轴承座  
Pillow block, open design

长设计 Long design

滑动膜材料 Liner material: B/G/E

轴 Shaft: h6-h7

| 产品编码<br>Part No. | 内装轴承<br>Bearing<br>[mm] | 轴径<br>Shaft<br>[mm] | 尺寸 Size [mm] |      |    |     |                |      |    |    |    |                |                |
|------------------|-------------------------|---------------------|--------------|------|----|-----|----------------|------|----|----|----|----------------|----------------|
|                  |                         |                     | W            | G    | A  | M   | h <sub>2</sub> | D    | U° | J  | K  | S <sub>1</sub> | S <sub>2</sub> |
| LINPB-11GK-12    | LINPB-11RK-12           | 12                  | 40           | 27.6 | 8  | 39  | 17             | 14   | 80 | 28 | 26 | M5*10          | Φ4.5           |
| LINPB-11GK-16    | LINPB-11RK-16           | 16                  | 45           | 33   | 9  | 45  | 20             | 22.5 | 80 | 32 | 30 | M5*10          | Φ5.5           |
| LINPB-11GK-20    | LINPB-11RK-20           | 20                  | 48           | 39   | 11 | 50  | 23             | 24   | 60 | 35 | 35 | M6*12          | Φ5.5           |
| LINPB-11GK-25    | LINPB-11RK-25           | 25                  | 60           | 47   | 14 | 65  | 27             | 30   | 50 | 40 | 40 | M6*12          | Φ6.6           |
| LINPB-11GK-30    | LINPB-11RK-30           | 30                  | 70           | 56   | 15 | 70  | 33             | 35   | 50 | 50 | 50 | M8*18          | Φ6.6           |
| LINPB-11GK-40    | LINPB-11RK-40           | 40                  | 90           | 72   | 20 | 90  | 42             | 45   | 50 | 65 | 65 | M10*25         | Φ9             |
| LINPB-11GK-50    | LINPB-11RK-50           | 50                  | 120          | 92   | 25 | 110 | 53             | 60   | 50 | 94 | 80 | M10*25         | Φ11            |

| 产品编码<br>Part No. | 内径LD<br>[mm] | 公差<br>Tolerance<br>[mm] | F max. [N] 材料 Material: B<br>最大动载荷 Dynamic Load P=5MPa |       |               | F max. [N] 材料 Material: B<br>最大静载荷 Static Load P=35MPa |       |       | 重量 Weight<br>[g] |
|------------------|--------------|-------------------------|--|-------|---------------|--|-------|-------|------------------|
|                  |              |                         | 0°   | 90°   | 180°          | 0°   | 90°   | 180°  |                  |
|                  |              |                         | LINPB-11GK-12  | 12    | +0.016/+0.043 | 3840   | 3190  | 960   |                  |
| LINPB-11GK-16    | 16           | +0.016/+0.043           | 5760   | 4864  | 1584          | 11520  | 9727  | 3168  | 125              |
| LINPB-11GK-20    | 20           | +0.020/+0.053           | 9000   | 8100  | 3600          | 18000  | 16200 | 7200  | 159              |
| LINPB-11GK-25    | 25           | +0.020/+0.053           | 14500  | 13154 | 6090          | 29000  | 26309 | 12180 | 343              |
| LINPB-11GK-30    | 30           | +0.020/+0.053           | 20400  | 18700 | 9112          | 40800  | 37400 | 18224 | 450              |
| LINPB-11GK-40    | 40           | +0.020/+0.064           | 32000  | 29600 | 15200         | 64000  | 59200 | 30400 | 1021             |
| LINPB-11GK-50    | 50           | +0.020/+0.064           | 50000  | 46650 | 25000         | 100000   | 93300 | 50000 | 1871             |