

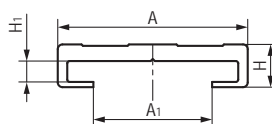
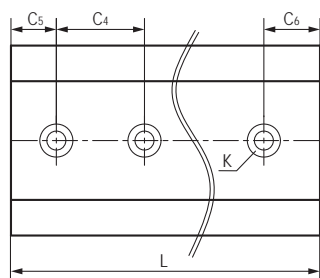
## NR01微型直线导轨 Small linear guides



### 产品特性 Product features

- 很小安装高度6-12mm
  - 轻量级
  - 较多的滑块选项 - 有带预张力设计
  - 免维护, 自润滑
  - 耐腐蚀
  - 低磨损, 摩擦系数低
  - 银色阳极氧化处理
- Small installation height from 6 to 12 mm
  - Lightweight
  - Numerous carriage options – also with preload design
  - Maintenance-free, self lubricating
  - Corrosion-resistant
  - Low wear with low coefficient of friction
  - Rails in silver anodized

## 标准规格 Standard specifications



产品编码 Part No.:

NR01-17-L-NH

- 空白Blank: 带安装孔 With mounting holes
- NH: 无安装孔 No mounting holes
- 长度 Length
- 宽度 Width

产品编码 Part No.	A [mm]	A <sub>1</sub> [mm]	C <sub>4</sub> [mm]	C <sub>5</sub> =C <sub>6</sub> [mm]		H [mm]	H <sub>1</sub> [mm]	K [mm]	L max. [mm]	重量 Weight [g/m]
				min.	max.					
NR01-17-L-NH	17	10.6	-	-	-	5.5	1.5	-	3000	150
NR01-27-L-NH	27	17	-	-	-	9	4.4	-	3000	290
NR01-40-L-NH	40	25	-	-	-	9	4.4	-	3000	450

产品编码 Part No.	A [mm]	A <sub>1</sub> [mm]	C <sub>4</sub> [mm]	C <sub>5</sub> =C <sub>6</sub> [mm]		H [mm]	H <sub>1</sub> [mm]	K [mm]	L max. [mm]	重量 Weight [g/m]
				min.	max.					
NR01-17-L	17	10.6	60	20	49.5	5.5	1.5	M3	3000	150
NR01-27-L	27	17	60	20	49.5	9	4.4	M4	3000	290
NR01-40-L	40	25	60	20	49.5	9	4.4	M4	3000	450

### NRU01导轨滑块 Guide rail sliders



### 产品特性 Product features

- 标准耐磨材料EPB13制成
- 多种选择：标准和带预紧设计
- 极小重量和无噪音运行
- 自润滑、免维护
- 配合导轨NR01-17和NR01-27
- 最大载荷为50N和500N
- Made of high anti-wear material EPB13
- Variants: Standard, Preload (P)
- extrem low weight quiet running
- Maintenance-free, self lubricating
- Installation for NR01-17 and NR01-27
- Max. load 50N and 500N

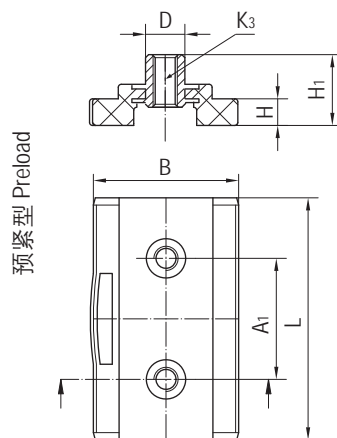
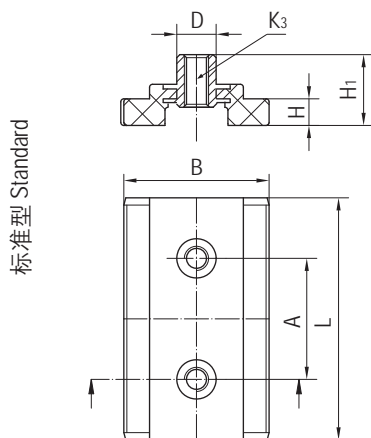
NRU01

CSB-LMS<sup>®</sup>

www.csb-ep.com  
sales@csb-ep.com

Tel: 0086 573 84186133/84185527  
Fax: 0086 573 84185517

### 标准规格 Standard specifications



产品编码 Part No.:

NRU01-17-20-P

带预紧 Preload  
长度 Length  
宽度 Width

产品编码 Part No.	A <sub>1</sub> [mm]	B [mm]	L [mm]	H [mm]	H <sub>1</sub> [mm]	K <sub>3</sub> [mm]	重量 Weight [g]
NRU01-17-20-P	14	14.6	20	1.5	5.3	M4	1.7
NRU01-27-40-P	20	24	40	4.4	11.8	M4	8
NRU01-17-20	14	14.6	20	1.5	5.3	M4	1.7
NRU01-27-40	20	24	40	4.4	11.8	M4	8

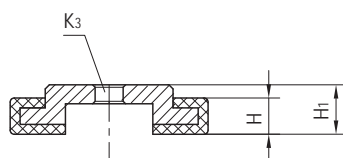
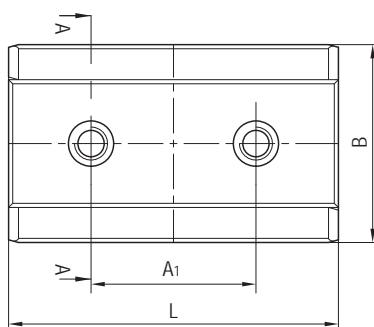
## NRU02导轨滑块 Guide rail sliders



### 产品特性 Product features

- 标准耐磨材料EPB13制成
- 极小重量和无噪音运行
- 自润滑、免维护
- 配合导轨NR01-27和NR01-40
- 最大载荷为500N和700N
- Made of high anti-wear material EPB13
- extrem low weight quiet running
- Maintenance-free, self lubricating
- Installation for NR01-27 and NR01-40
- Max. load 500N and 700N

### 标准规格 Standard specifications



产品编码 Part No.:

NRU02-27-40

长度 Length  
宽度 Width

产品编码 Part No.	A <sub>1</sub> [mm]	B [mm]	L [mm]	H [mm]	H <sub>1</sub> [mm]	K <sub>3</sub> [mm]	重量 Weight [g]
NRU02-27-40	20	24	40	4.4	6.8	4.5	8.5
NRU02-40-50	20	36	50	4.4	6.8	4.5	17

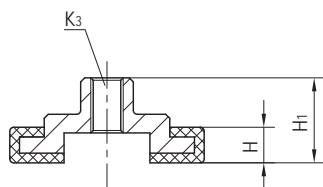
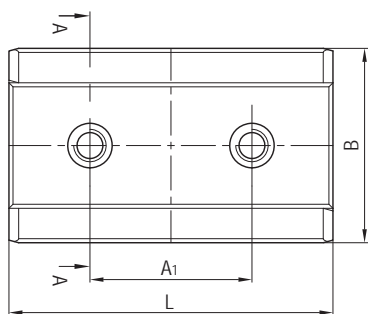
### NRU03导轨滑块 Guide rail sliders



### 产品特性 Product features

- 标准耐磨材料EPB13制成
- 多种选择：标准和带预紧设计
- 极小重量和无噪音运行
- 自润滑、免维护
- 配合导轨NR01-27和NR01-40
- 最大载荷为500N和700N
- Made of high anti-wear material EPB13
- Variants: Standard, Preload (P)
- extrem low weight quiet running
- Maintenance-free, self lubricating
- Installation for NR01-27 and NR01-40
- Max. load 500N and 700N

### 标准规格 Standard specifications



产品编码 Part No.:

NRU03-27-40

长度 Length  
宽度 Width

产品编码 Part No.	A <sub>1</sub> [mm]	B [mm]	L [mm]	H [mm]	H <sub>1</sub> [mm]	K <sub>3</sub> [mm]	重量 Weight [g]
NRU03-27-40	20	24	40	4.4	11.8	M4	9
NRU03-27-80	60	24	80	4.4	11.8	M4	18
NRU03-40-50	20	36	50	4.4	11.8	M4	19

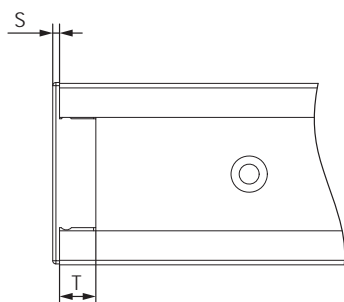
## NCAP导轨端盖 Guide rail end caps



### 产品特性 Product features

- 易安装
- 低成本
- 可拆卸
- 高压紧力
- Easy installation
- Low-priced
- Dismantling possible
- High retention force

### 标准规格 Standard specifications



产品编码 Part No.:

NCAP-17

宽度 Width

产品编码 Part No.	S [mm]	T [mm]	导轨 Guide rail
NCAP-17	1.5	7	NR01-17
NCAP-27	2	8	NR01-27
NCAP-40	1.5	8	NR01-40