

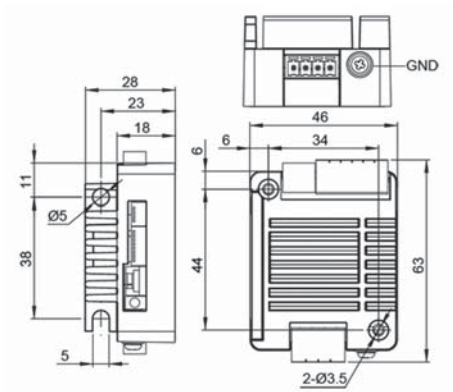
步进电机控制器 Stepper motor controllers



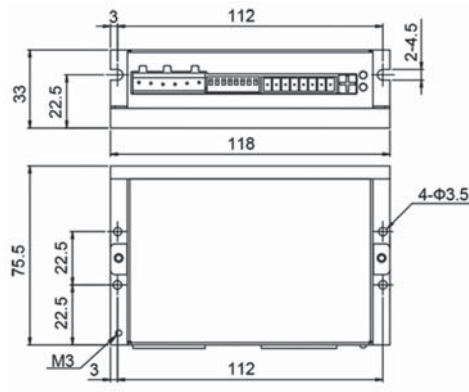
产品特性 Product features

- 步进电机驱动器是基于PID电流控制算法设计的高性价比驱动器，具有优越的性能表现，高速大力矩输出，低噪音，低振动，低发热。驱动器可通过拨码开关选择运行电流和细分，有8种细分，8种电流供选择，具有过压，欠压，相电流过流保护，其输入输出控制信号均采用光电隔离。
- Stepper motor driver is based on PID current control algorithm design, and cost-effective with superior performance, high speed and torque output, low noise and vibration. The running current can be set by DIP switch, there are 8 kinds of subdivision and current options, Protection with overvoltage, undervoltage, phase current overcurrent, The input and output control signals are used optical isolation.

标准规格 Standard specifications



SR3-mini



SR4

产品编码 Part No.	电流 Output Current	电压 Supply Voltage	速度范围 Max.Speed	工作环境温度 Operation temperature	最高环境湿度 Max. ambient humidity	重量 Weight [g]
SR3-mini	0.4-3.0A	12-48VDC	3000	0 - 40℃	90%	120
SR4	1.0-4.5A	24-48VDC	3000	0 - 40℃	90%	310