

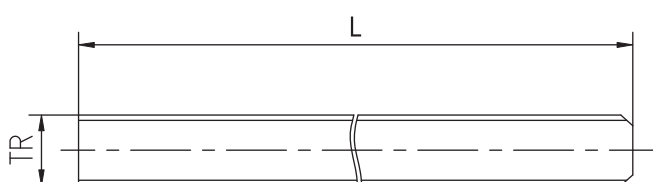
梯形螺纹丝杆 Lead screws with trapezoidal thread



产品特性 Product features

- 左旋和右旋螺纹可选
 - 可选材料: C45钢和不锈钢
 - 可以根据客户图纸加工
- Thread: right- or left-hand
 - Available materials: C45 steel /304 stainless steel
 - Length and machining according to customer drawing

标准规格 Standard specifications



产品编码 Part No.:

TLS-8 × 1.5R-N1-ES-L

- 长度 Length
- 不锈钢 Stainless steel
- 螺纹数 Thread numble
- R-右旋Right L-左旋Left
- 螺纹 Thread

产品编码 Part No.	直径 Outer diameter [mm]	齿根直径 Core diameter [mm]	导程 Lead S[mm]	螺距 Pitch P[mm]	螺纹角 Pitch angle α [°]	头数 Number of threads N [pcs]	重量 Weight [kg/m]
TLS-8 × 1.5R-N1-ES-L	8	6.2	1.5	1.5	3.42	1	0.40
TLS-10 × 2R-N1-ES-L	10	7.5	2	2	3.64	1	0.62
TLS-10 × 3R-N1-ES-L	10	6.5	3	3	5.45	1	0.89
TLS-10 × 4R-N2-ES-L	10	7.5	4	2	7.26	2	0.62
TLS-12 × 3R-N1-ES-L	12	8.5	3	3	4.55	1	0.89
TLS-12 × 6R-N2-ES-L	12	8.5	6	3	9.04	2	0.89
TLS-14 × 3R-N1-ES-L	14	10.5	3	3	3.9	1	1.22
TLS-14 × 4R-N1-ES-L	14	9.5	4	4	5.2	1	1.22
TLS-16 × 2R-N1-ES-L	16	12.8	2	2	2.28	1	1.59
TLS-16 × 4R-N1-ES-L	16	11.5	4	4	4.55	1	1.59
TLS-16 × 8R-N2-ES-L	16	11.5	8	4	9.04	2	1.59
TLS-18 × 4R-N1-ES-L	18	13.5	4	4	4.05	1	2.01
TLS-18 × 8R-N2-ES-L	18	13.5	8	4	8.05	2	2.01
TLS-20 × 4R-N1-ES-L	20	15.5	4	4	3.64	1	2.48
TLS-24 × 5R-N1-ES-L	24	18.5	5	5	3.79	1	3.57
TLS-26 × 5R-N1-ES-L	26	20.5	5	5	3.5	1	4.19
TLS-28 × 5R-N1-ES-L	28	22.5	5	5	3.25	1	4.86
TLS-30 × 6R-N1-ES-L	30	23	6	6	3.64	1	5.58

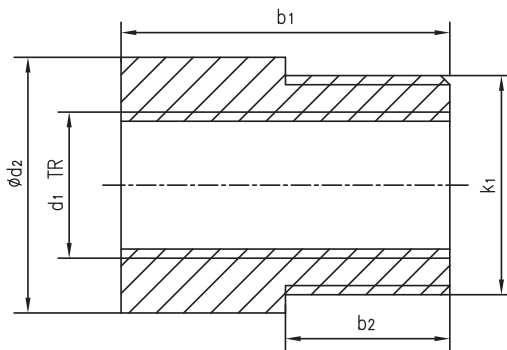
圆柱螺母 Lead screw nuts, round



产品特性 Product features

- 自润滑、低磨损
- 极低的摩擦系数
- 耐腐蚀，可用于液体介质环境
- 抵抗灰尘和无噪音运行
- 可选材料：EPB13, EPB7, EPB5A
- Self lubricating and lower wear
- Best coefficient of friction
- Chemical resistant
- Dust resistant and quit running
- Available materials: EPB13, EPB7 and EPB5A

标准规格 Standard specifications



产品编码 Part No.:

SNR-1812TR8 × 1.5R-N1

- 螺纹数 Thread numble
- R-右旋 Right L-左旋 Left
- 内螺纹 Inner Thread $d_1 \times s$
- 长度 Length
- 外径 Outer diameter

产品编码 Part No.	d_2 [mm]	b_1 [mm]	$d_1 \times s$ [mm]	头数 N [pcs]	$k_1 \times p$ [mm]	b_2 [mm]
SNR-1812TR8 × 1.5R-N1	18	12	TR8 × 1.5	1	M16 × 1.5	6
SNR-2220TR10 × 2R-N1	22	20	TR10 × 2	1	M20 × 1.5	10
SNR-2220TR10 × 3R-N1	22	20	TR10 × 3	1	M20 × 1.5	10
SNR-2220TR10 × 4R-N2	22	20	TR10 × 4	2	M20 × 1.5	10
SNR-2624TR12 × 3R-N1	26	24	TR12 × 3	1	M24 × 2	12
SNR-2624TR12 × 6R-N2	26	24	TR12 × 6	2	M24 × 2	12
SNR-3028TR14 × 3R-N1	30	28	TR14 × 3	1	M27 × 2	14
SNR-3028TR14 × 4R-N1	30	28	TR14 × 4	1	M27 × 2	14
SNR-3632TR16 × 2R-N1	36	32	TR16 × 2	1	M33 × 2	16
SNR-3632TR16 × 4R-N1	36	32	TR16 × 4	1	M33 × 2	16
SNR-3632TR16 × 8R-N2	36	32	TR16 × 8	2	M33 × 2	16
SNR-4036TR18 × 4R-N1	40	36	TR18 × 4	1	M36 × 3	18
SNR-4036TR18 × 8R-N2	40	36	TR18 × 8	2	M36 × 3	18
SNR-4540TR20 × 4R-N1	45	40	TR20 × 4	1	M42 × 3	20
SNR-5048TR24 × 5R-N1	50	48	TR24 × 5	1	M48 × 3	24
SNR-5052TR26 × 5R-N1	50	52	TR26 × 5	1	M48 × 3	26
SNR-6056TR28 × 5R-N1	60	56	TR28 × 5	1	M56 × 4	28
SNR-6060TR30 × 6R-N1	60	60	TR30 × 6	1	M56 × 4	30

产品编码 Part No.	有效接触面积 Effective supporting surface [mm ²]	最大轴向静载荷 Max. stat. axial F [N]	效率 Efficiency η	摩擦系数 Coefficient of friction μ	重量 Weight [g]
SNR-1812TR8 × 1.5R-N1	137	547	19-27	0.1-0.25	3.7
SNR-2220TR10 × 2R-N1	283	1131	20-39	0.1-0.25	9.0
SNR-2220TR10 × 3R-N1	267	1068	27-48	0.1-0.25	9.0
SNR-2220TR10 × 4R-N2	282	1127	33-55	0.1-0.25	9.0
SNR-2624TR12 × 3R-N1	396	1583	24-44	0.1-0.25	14.9
SNR-2624TR12 × 6R-N2	396	1583	37-60	0.1-0.25	14.9
SNR-3028TR14 × 3R-N1	550	2199	24-40	0.1-0.25	23.1
SNR-3028TR14 × 4R-N1	528	2111	26-47	0.1-0.25	23.1
SNR-3632TR16 × 2R-N1	754	3016	14-28	0.1-0.25	38.9
SNR-3632TR16 × 4R-N1	704	2815	24-44	0.1-0.25	38.9
SNR-3632TR16 × 8R-N2	704	2815	37-60	0.1-0.25	38.9
SNR-4036TR18 × 4R-N1	905	3619	22-41	0.1-0.25	53.8
SNR-4036TR18 × 8R-N2	905	3619	35-58	0.1-0.25	53.8
SNR-4540TR20 × 4R-N1	1131	4524	20-39	0.1-0.25	76.1
SNR-5048TR24 × 5R-N1	1621	6484	21-40	0.1-0.25	108.1
SNR-5052TR26 × 5R-N1	1920	7678	19-38	0.1-0.25	111.0
SNR-6056TR28 × 5R-N1	2243	8972	18-36	0.1-0.25	184.5
SNR-6060TR30 × 6R-N1	2545	10179	20-39	0.1-0.25	189.6

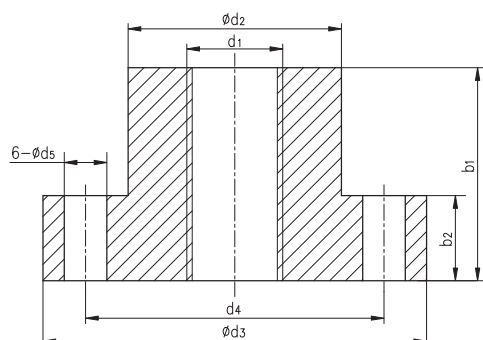
圆柱法兰螺母 Lead screw nuts, round flange



产品特性 Product features

- 自润滑、低磨损
- 螺丝固定，易安装
- 极低的摩擦系数
- 耐腐蚀，可用于液体介质环境
- 抵抗灰尘和无噪音运行
- 可选材料：EPB13, EPB7, EPB5A
- Self lubricating and lower wear
- Easy installation with bolts
- Best coefficient of friction
- Chemical resistant
- Dust resistant and quit running
- Available materials: EPB13, EPB7 and EPB5A

标准规格 Standard specifications



产品编码 Part No.:

SNRF-2020TR8 × 1.5R-N1

- 螺纹数 Thread numble
- R-右旋Right L-左旋Left
- 内螺纹 Inner thread $d_1 \times s$
- 长度 Length
- 外径 Outer diameter

产品编码 Part No.	d ₂ [mm]	b ₁ [mm]	d ₃ [mm]	b ₂ [mm]	d ₄ [mm]	d ₅ [mm]	d ₁ × s [mm]	头数 Number of threads N [pcs]
SNRF-2020TR8 × 1.5R-N1	20	20	36	8	28	4	TR8 × 1.5	1
SNRF-2525TR10 × 2R-N1	25	25	42	10	34	5	TR10 × 2	1
SNRF-2525TR10 × 3R-N1	25	25	42	10	34	5	TR10 × 3	1
SNRF-2525TR10 × 4R-N2	25	25	42	10	34	5	TR10 × 4	2
SNRF-2835TR12 × 3R-N1	28	35	48	12	38	6	TR12 × 3	1
SNRF-2835TR12 × 6R-N2	28	35	48	12	38	6	TR12 × 6	2
SNRF-2835TR14 × 3R-N1	28	35	48	12	38	6	TR14 × 3	1
SNRF-2835TR14 × 4R-N1	28	35	48	12	38	6	TR14 × 4	1
SNRF-2835TR16 × 2R-N1	28	35	48	12	38	6	TR16 × 2	1
SNRF-2835TR16 × 4R-N1	28	35	48	12	38	6	TR16 × 4	1
SNRF-2835TR16 × 8R-N2	28	35	48	12	38	6	TR16 × 8	2
SNRF-2835TR18 × 4R-N1	28	35	48	12	38	6	TR18 × 4	1
SNRF-2835TR18 × 8R-N2	28	35	48	12	38	6	TR18 × 8	2
SNRF-3244TR20 × 4R-N1	32	44	55	12	45	7	TR20 × 4	1
SNRF-3244TR24 × 5R-N1	32	44	55	12	45	7	TR24 × 5	1
SNRF-3846TR26 × 5R-N1	38	46	62	14	50	7	TR26 × 5	1
SNRF-3846TR28 × 5R-N1	38	46	62	14	50	7	TR28 × 5	1
SNRF-3846TR30 × 6R-N1	38	46	62	14	50	7	TR30 × 6	1

产品编码 Part No.	有效接触面积 Effective supporting surface [mm ²]	最大轴向静载荷 Max. stat. axial F [N]	效率 Efficiency η	摩擦系数 Coefficient of friction μ	重量 Weight [g]
SNRF-2020TR8 × 1.5R-N1	228	911	19-27	0.1-0.25	16.3
SNRF-2525TR10 × 2R-N1	353	1414	20-39	0.1-0.25	28.7
SNRF-2525TR10 × 3R-N1	334	1335	27-48	0.1-0.25	28.7
SNRF-2525TR10 × 4R-N2	353	1412	33-55	0.1-0.25	28.7
SNRF-2835TR12 × 3R-N1	577	2309	24-44	0.1-0.25	47.6
SNRF-2835TR12 × 6R-N2	577	2309	37-60	0.1-0.25	47.6
SNRF-2835TR14 × 3R-N1	687	2749	24-40	0.1-0.25	45.4
SNRF-2835TR14 × 4R-N1	660	2639	26-47	0.1-0.25	45.4
SNRF-2835TR16 × 2R-N1	825	3299	14-28	0.1-0.25	43.0
SNRF-2835TR16 × 4R-N1	770	3079	24-44	0.1-0.25	43.0
SNRF-2835TR16 × 8R-N2	770	3079	37-60	0.1-0.25	43.0
SNRF-2835TR18 × 4R-N1	880	3519	22-41	0.1-0.25	40.2
SNRF-2835TR18 × 8R-N2	880	3519	35-58	0.1-0.25	40.2
SNRF-3244TR20 × 4R-N1	1244	4976	20-39	0.1-0.25	60.2
SNRF-3244TR24 × 5R-N1	1486	5944	21-40	0.1-0.25	51.2
SNRF-3846TR26 × 5R-N1	1698	6320	19-38	0.1-0.25	80.7
SNRF-3846TR28 × 5R-N1	1843	4560	18-36	0.1-0.25	74.8
SNRF-3846TR30 × 6R-N1	1951	3576	20-39	0.1-0.25	68.6

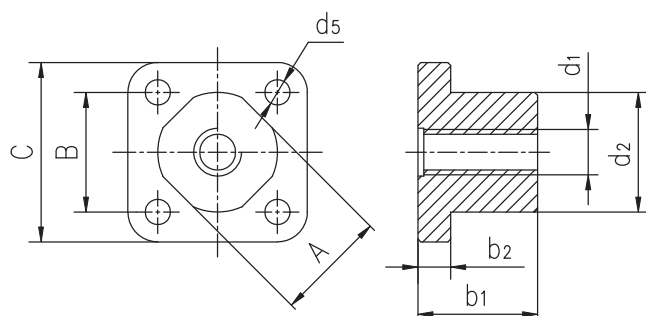
方法兰螺母 Lead screw nuts, square flange



产品特性 Product features

- 自润滑、低磨损
- 高效率传动
- 螺丝固定易安装
- 极低的摩擦系数
- 耐腐蚀，可用于液体介质环境
- 抵抗灰尘和无噪音运行
- 可选材料：EPB13, EPB7, EPB5A
- Self lubricating and lower wear
- High efficiency drive
- Easy installation with bolts
- Best coefficient of friction
- Chemical resistant
- Dust resistant and quit running
- Available materials: EPB13, EPB7 and EPB5A

标准规格 Standard specifications



产品编码 Part No.:

SNSF-202030TR8 × 1.5R-N1

- 螺纹数 Thread numble
- R-右旋Right L-左旋Left
- 内螺纹 Inner thread $d_1 \times s$
- 法兰边长 Flange width
- 长度 Length
- 外径 Outer diameter

产品编码 Part No.	d_2 [mm]	b_1 [mm]	A [mm]	B [mm]	C [mm]	b_2 [mm]	d_5 [mm]	$d_1 \times s$ [mm]	头数 Number of threads N [pcs]
SNSF-202030TR8 × 1.5R-N1	20	20	19	20	30	5.5	4.2	TR8 × 1.5	1
SNSF-202030TR10 × 2R-N1	20	20	19	20	30	5.5	4.2	TR10 × 2	1
SNSF-202030TR10 × 3R-N1	20	20	19	20	30	5.5	4.2	TR10 × 3	1
SNSF-202030TR10 × 4R-N2	20	20	19	20	30	5.5	4.2	TR10 × 4	2
SNSF-242534TR12 × 3R-N1	24	25	22.6	24	34	6	5	TR12 × 3	1
SNSF-242534TR12 × 6R-N2	24	25	22.6	24	34	6	5	TR12 × 6	2
SNSF-242534TR14 × 3R-N1	24	25	22.6	24	34	6	5	TR14 × 3	1
SNSF-242534TR14 × 4R-N1	24	25	22.6	24	34	6	5	TR14 × 4	1
SNSF-282538TR16 × 2R-N1	28	25	25.5	27	38	6.5	6	TR16 × 2	1
SNSF-282538TR16 × 4R-N1	28	25	25.5	27	38	6.5	6	TR16 × 4	1
SNSF-282538TR16 × 8R-N2	28	25	25.5	27	38	6.5	6	TR16 × 8	2
SNSF-282538TR18 × 4R-N1	28	25	25.5	27	38	6.5	6	TR18 × 4	1
SNSF-282538TR18 × 8R-N2	28	25	25.5	27	38	6.5	6	TR18 × 8	2

产品编码 Part No.	有效接触面积 Effective supporting surface [mm ²]	最大轴向静载荷 Max. stat. axial F [N]	效率 Efficiency η	摩擦系数 Coefficient of friction μ	重量 Weight [g]
SNSF-202030TR8 × 1.5R-N1	228	911	19-27	0.1-0.25	12.66
SNSF-202030TR10 × 2R-N1	283	1131	20-39	0.1-0.25	11.82
SNSF-202030TR10 × 3R-N1	267	1068	27-48	0.1-0.25	11.82
SNSF-202030TR10 × 4R-N2	282	1127	33-55	0.1-0.25	11.82
SNSF-242534TR12 × 3R-N1	412	1649	24-44	0.1-0.25	18.93
SNSF-242534TR12 × 6R-N2	412	1649	37-60	0.1-0.25	18.93
SNSF-242534TR14 × 3R-N1	491	1963	24-40	0.1-0.25	17.41
SNSF-242534TR14 × 4R-N1	471	1885	26-47	0.1-0.25	17.41
SNSF-282538TR16 × 2R-N1	589	2356	14-28	0.1-0.25	22.85
SNSF-282538TR16 × 4R-N1	550	2199	24-44	0.1-0.25	22.85
SNSF-282538TR16 × 8R-N2	550	2199	37-60	0.1-0.25	22.85
SNSF-282538TR18 × 4R-N1	628	2513	22-41	0.1-0.25	21.48
SNSF-282538TR18 × 8R-N2	628	2513	35-58	0.1-0.25	21.48

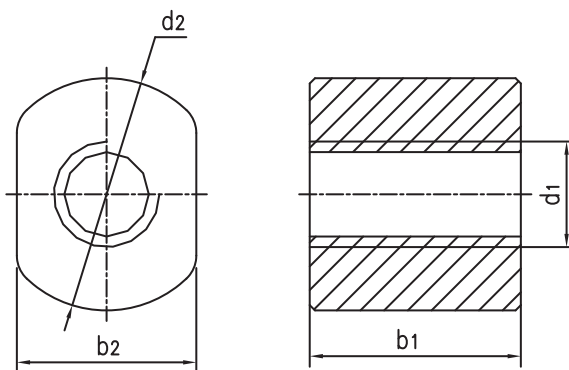
扁螺母 Lead screw nuts with spanner flat



产品特性 Product features

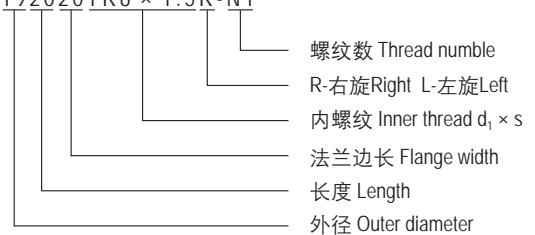
- 自润滑、低磨损
- 极低的摩擦系数
- 耐腐蚀，可用于液体介质环境
- 抵抗灰尘和无噪音运行
- 节约空间，安装简易
- 可选材料：EPB13, EPB7, EPB5A
- Self lubricating and lower wear
- Best coefficient of friction
- Chemical resistant
- Dust resistant and quit running
- Save space and Easy installation
- Available materials: EPB13, EPB7 and EPB5A

标准规格 Standard specifications



产品编码 Part No.:

SNF-192020TR8 × 1.5R-N1



产品编码 Part No.	d ₂ [mm]	b ₂ [mm]	b ₁ [mm]	d ₁ × s [mm]	头数 Number of threads N [pcs]
SNF-192020TR8 × 1.5R-N1	20	19	20	TR8 × 1.5	1
SNF-192020TR10 × 2R-N1	20	19	20	TR10 × 2	1
SNF-192020TR10 × 3R-N1	20	19	20	TR10 × 3	1
SNF-192020TR10 × 4R-N2	20	19	20	TR10 × 4	2
SNF-222425TR12 × 3R-N1	24	22.6	25	TR12 × 3	1
SNF-222425TR12 × 6R-N2	24	22.6	25	TR12 × 6	2
SNF-222425TR14 × 3R-N1	24	22.6	25	TR14 × 3	1
SNF-222425TR14 × 4R-N1	24	22.6	25	TR14 × 4	1
SNF-252825TR16 × 2R-N1	28	25.5	25	TR16 × 2	1
SNF-252825TR16 × 4R-N1	28	25.5	25	TR16 × 4	1
SNF-252825TR16 × 8R-N2	28	25.5	25	TR16 × 8	2
SNF-252825TR18 × 4R-N1	28	25.5	25	TR18 × 4	1
SNF-252825TR18 × 8R-N2	28	25.5	25	TR18 × 8	2

产品编码 Part No.	有效接触面积 Effective supporting surface [mm ²]	最大轴向静载荷 Max. stat. axial F [N]	效率 Efficiency η	摩擦系数 Coefficient of friction μ	重量 Weight [g]
SNF-192020TR8 × 1.5R-N1	228	500	19-27	0.1-0.25	7.86
SNF-192020TR10 × 2R-N1	283	1131	20-39	0.1-0.25	7.02
SNF-192020TR10 × 3R-N1	267	1068	27-48	0.1-0.25	7.02
SNF-192020TR10 × 4R-N2	282	1127	33-55	0.1-0.25	7.02
SNF-222425TR12 × 3R-N1	412	1649	24-44	0.1-0.25	12.64
SNF-222425TR12 × 6R-N2	412	1649	37-60	0.1-0.25	12.64
SNF-222425TR14 × 3R-N1	491	1963	24-40	0.1-0.25	11.12
SNF-222425TR14 × 4R-N1	471	1885	26-47	0.1-0.25	11.12
SNF-252825TR16 × 2R-N1	589	2356	14-28	0.1-0.25	15.45
SNF-252825TR16 × 4R-N1	550	2199	24-44	0.1-0.25	15.45
SNF-252825TR16 × 8R-N2	550	2199	37-60	0.1-0.25	15.45
SNF-252825TR18 × 4R-N1	628	2362	22-41	0.1-0.25	13.46
SNF-252825TR18 × 8R-N2	628	2362	35-58	0.1-0.25	13.46

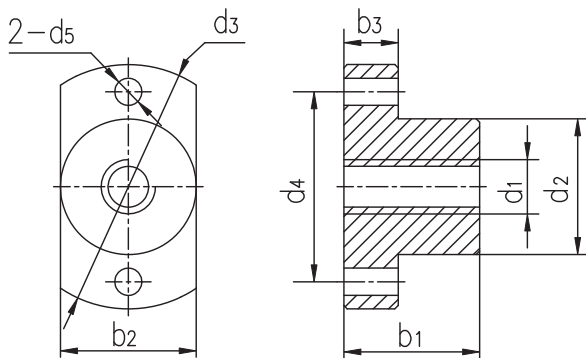
扁法兰螺母 Lead screw nuts with flat flange



产品特性 Product features

- 自润滑、低磨损
- 节约空间，螺丝固定易装配
- 极低的摩擦系数
- 耐腐蚀，可用于液体介质环境
- 抵抗灰尘和无噪音运行
- 可选材料：EPB13, EPB7, EPB5A
- Self lubricating and lower wear
- Save space and Easy installation with bolts
- Best coefficient of friction
- Chemical resistant
- Dust resistant and quit running
- Available materials: EPB13, EPB7 and EPB5A

标准规格 Standard specifications



产品编码 Part No.:

SNFF-2020TR8 × 1.5R-N1

螺纹数 Thread number
R-右旋Right L-左旋Left
内螺纹 Inner thread $d_1 \times s$
长度 Length
外径 Outer diameter

产品编码 Part No.	d_2 [mm]	b_1 [mm]	d_3 [mm]	b_3 [mm]	b_2 [mm]	d_1 [mm]	d_5 [mm]	$d_1 \times s$ [mm]	头数 Number of threads N [pcs]
SNFF-2020TR8 × 1.5R-N1	20	20	36	8	20	28	4	TR8 × 1.5	1
SNFF-2525TR10 × 2R-N1	25	25	42	10	25	34	5	TR10 × 2	1
SNFF-2525TR10 × 3R-N1	25	25	42	10	25	34	5	TR10 × 3	1
SNFF-2525TR10 × 4R-N2	25	25	42	10	25	34	5	TR10 × 4	2
SNFF-2835TR12 × 3R-N1	28	35	48	12	28	38	6	TR12 × 3	1
SNFF-2835TR12 × 6R-N2	28	35	48	12	28	38	6	TR12 × 6	2
SNFF-2835TR14 × 3R-N1	28	35	48	12	28	38	6	TR14 × 3	1
SNFF-2835TR14 × 4R-N1	28	35	48	12	28	38	6	TR14 × 4	1
SNFF-2835TR16 × 2R-N1	28	35	48	12	28	38	6	TR16 × 2	1
SNFF-2835TR16 × 4R-N1	28	35	48	12	28	38	6	TR16 × 4	1
SNFF-2835TR16 × 8R-N2	28	35	48	12	28	38	6	TR16 × 8	2
SNFF-2835TR18 × 4R-N1	28	35	48	12	28	38	6	TR18 × 4	1
SNFF-2835TR18 × 8R-N2	28	35	48	12	28	38	6	TR18 × 8	2

产品编码 Part No.	有效接触面积 Effective supporting surface [mm ²]	最大轴向静载荷 Max. stat. axial F [N]	效率 Efficiency η	摩擦系数 Coefficient of friction μ	重量Weight [g]
SNFF-2020TR8 × 1.5R-N1	228	911	19-27	0.1-0.25	12.7
SNFF-2525TR10 × 2R-N1	353	1414	20-39	0.1-0.25	23.7
SNFF-2525TR10 × 3R-N1	334	1335	27-48	0.1-0.25	23.7
SNFF-2525TR10 × 4R-N2	353	1412	33-55	0.1-0.25	23.7
SNFF-2835TR12 × 3R-N1	577	2309	24-44	0.1-0.25	39.2
SNFF-2835TR12 × 6R-N2	577	2309	37-60	0.1-0.25	39.2
SNFF-2835TR14 × 3R-N1	660	2639	24-40	0.1-0.25	37.1
SNFF-2835TR14 × 4R-N1	660	2639	26-47	0.1-0.25	37.1
SNFF-2835TR16 × 2R-N1	825	3299	14-28	0.1-0.25	34.6
SNFF-2835TR16 × 4R-N1	770	3079	24-44	0.1-0.25	34.6
SNFF-2835TR16 × 8R-N2	770	3079	37-60	0.1-0.25	34.6
SNFF-2835TR18 × 4R-N1	880	3519	22-41	0.1-0.25	31.9
SNFF-2835TR18 × 8R-N2	880	3519	35-58	0.1-0.25	31.9