

CSB-PCC[®] Plastic Cable Chains

CSB-PCC[®] 工程塑料电缆拖链

C01.15 微型电缆拖链 Micro cable chains



产品特性 Product features

C01.15微型电缆拖链体积小，基于一片式设计重量轻特别适用于高速运动。C01.15微型拖链适用于最小安装空间，多种尺寸规格可选。

- 拖链内高15mm，内宽16-50mm
- 小节距设计实现低噪音顺畅运行
- 一片式设计，不可打开
- 非常轻便，低成本，最小的内高和转弯半径

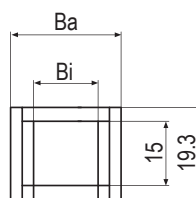
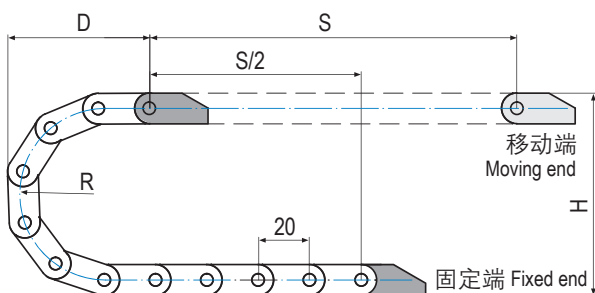
C01.15 micro cable chains are very small, one piece chains with low weight, making them ideal for highly dynamic applications. C01.15 micro cable chains are optimal for the smallest installation spaces, and are available in many versions.

- Inner height 15mm, Inner width from 16mm to 50mm
- Small pitch for low-noise, smooth running
- One-piece design, non-openable
- Very lightweight, low price smallest inner heights and bend radius

标准尺寸 Standard dimensions

产品编码 Part No.	内宽 Bi Inner width [mm]	外宽 Ba Outer width [mm]	内高 Hi Inner height [mm]	外高 Ha Outer height [mm]	弯曲半径 R Bend radius [mm]				架空长度 Unsupported length [m]	重量 Weight [kg/m]
C01.15.16	16	24.2	15	19.3	025	028	038	048	≤1	0.24
C01.15.20	20	28.2	15	19.3	025	028	038	048		0.25
C01.15.30	30	38.2	15	19.3	025	028	038	048		0.28
C01.15.40	40	48.2	15	19.3	025	028	038	048		0.31
C01.15.50	50	58.2	15	19.3	025	028	038	048		0.37

安装尺寸 Installation dimensions



产品编码 Part No.:

C01.15.16.028.020

- 链节数量 Link quantity
- 弯曲半径 Bend radius
- 拖链内宽 Inner width
- 拖链内高 Inner height
- 拖链系列 Chain series

C01.15

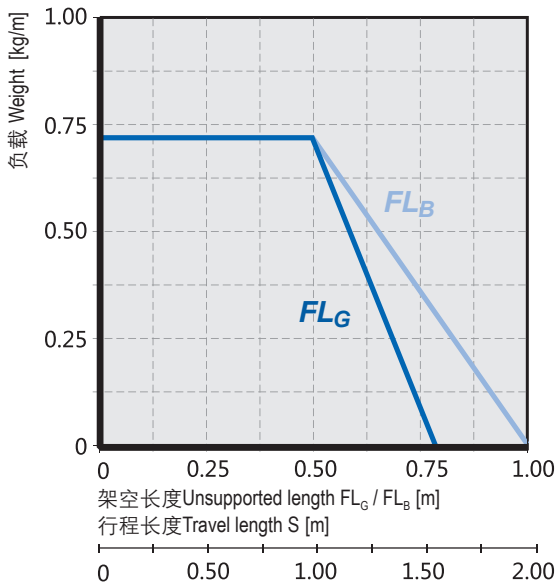
CSB-PCC[®]

www.csb-ep.com
sales@csb-ep.com

Tel: 0086 573 84186133/84185527
Fax: 0086 573 84185517

R	025	028	038	048
H	69	75	95	115
D	65	68	78	88
K	120	130	160	195

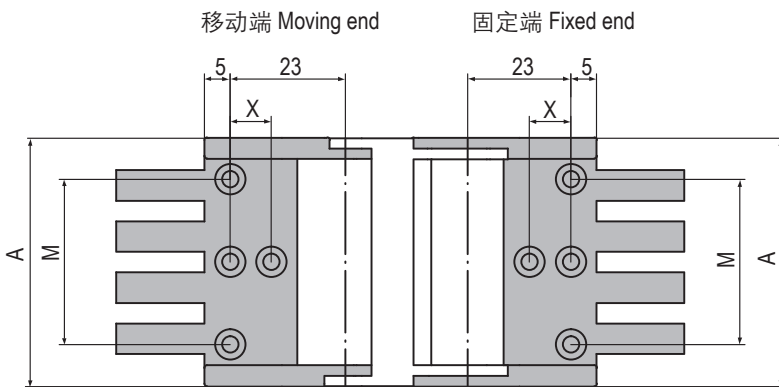
实际安装高度 The required clearance height: $H_f = H + 15\text{mm}$ (负载 Fill weight 0.3kg/m)



内高Bi: 15mm
 节距T: 20mm
 链节数: 50pcs/m
 安装高度 H_f : $H + 10\text{mm}$
 拖链长度: $S/2 + K$

Inner height: 15mm
 Link pitch: 20mm
 Link quantity: 50pcs/m
 Chain length: $H + 10\text{mm}$
 Clearance height: $S/2 + K$

拖链接头尺寸 Mounting bracket dimensions



产品编码 Part No.:

C01.15.16.0

- 0: 移动端 Moving end
- 1: 固定端 Fixed end
- 拖链内宽 Inner width
- 拖链内高 Inner height
- 拖链系列 Chain series

产品编码 Part No.	拖链内宽 Inner width Bi	A	X	M
C01.15.16.0/1	16	24.2	8	/
C01.15.20.0/1	20	28.2	8	/
C01.15.30.0/1	30	38.2	8	22
C01.15.40.0/1	40	48.2	8	32
C01.15.50.0/1	50	58.2	8	42