

CSB-PCC® Plastic Cable Chains

CSB-PCC® 工程塑料电缆拖链

C11.05 易填充微型电缆拖链 Micro cable chains, open design and cable filled quickly



产品特性 Product features

C11.05易填充微型电缆拖链体积小，基于一片式开口设计重量轻且便于快速填充电缆，同样适用于高速运动。C11.05微型电缆拖链适用于最小安装空间，多种尺寸规格可选。

- 拖链内高5mm，内宽5-10mm
- 小节距设计实现低噪音顺畅运行
- 一片式设计，不可打开
- 非常轻便，低成本，最小的内高和转弯半径

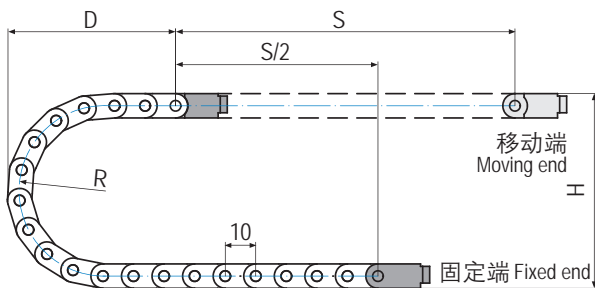
C11.05 micro cable chains are very small, one piece and open design chains with low weight, making them ideal for highly dynamic applications and cables filled quickly. C11.05 micro cable chains are optimal for the smallest installation spaces, and are available in many versions.

- Inner height 5mm, Inner width from 5mm to 10mm
- Small pitch for low-noise, smooth running
- One-piece design, non-openable
- Very lightweight, low price smallest inner heights and bend radius

标准尺寸 Standard dimensions

产品编码 Part No.	内宽 Bi	外宽 Ba	内高 Hi	外高 Ha	弯曲半径 R					架空长度 Unsupported length [m]	重量 Weight [kg/m]
	Inner width [mm]	Outer width [mm]	Inner height [mm]	Outer height [mm]	010	012	015	018	028		
C11.05.05	5	8.7	5	8	010	012	015	018	028	≤0.4	0.03
C11.05.07	7	10	5	8	010	012	015	018	028		0.04
C11.05.10	10	13.7	5	8	010	012	015	018	028		0.05

安装尺寸 Installation dimensions



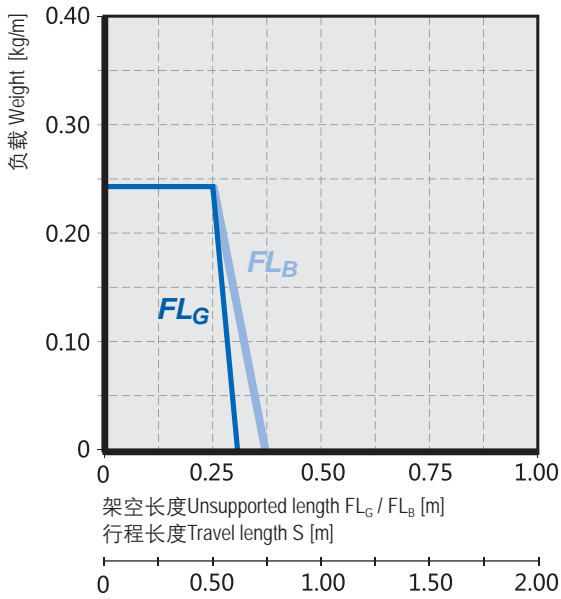
产品编码 Part No.:

C11.05.05.018.020

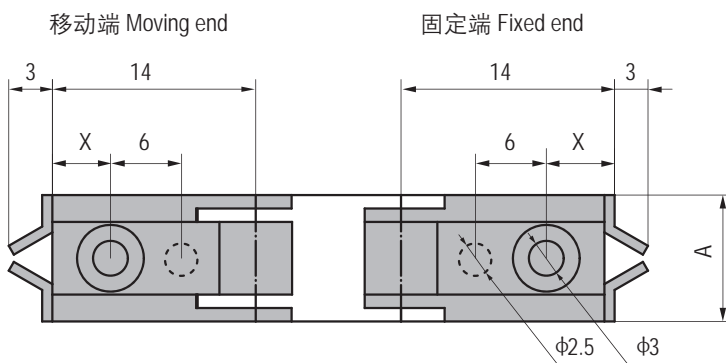
- 链节数量 Link quantity
- 弯曲半径 Bend radius
- 拖链内宽 Inner width
- 拖链内高 Inner height
- 拖链系列 Chain series

R	010	012	015	018	028
H	28	32	38	44	64
D	29	31	34	37	47
K	55	60	70	80	110

实际安装高度 The required clearance height: $H_f = H + 10\text{mm}$ (负载 Fill weight 0.1kg/m)



拖链接头尺寸 Mounting bracket dimensions



产品编码 Part No.:

C11.05.05.0

- 0: 移动端 Moving end
- 1: 固定端 Fixed end
- 拖链内宽 Inner width
- 拖链内高 Inner height
- 拖链系列 Chain series

产品编码 Part No.	拖链内宽 Inner width Bi [mm]	A [mm]	X [mm]
C11.05.05.0/1	05	8.7	4
C11.05.07.0/1	07	10.7	4
C11.05.10.0/1	10	13.7	4