

CSB-PCC[®] Plastic Cable Chains

CSB-PCC[®] 工程塑料电缆拖链

C12.25 通用全封闭电缆拖链 Universal cable chains, Fully enclosed design



产品特性 Product features

C12.25通用型全封闭电缆拖链是应用范围广泛的拖管类产品，简单而多功能的组装结合坚固性，高强度配合更安静的运动，全封闭设计保护电缆长期安全运行。

- 拖链内高25mm，内宽57-125mm
- 碎屑防护功能（包括高温加工碎屑）
- 易于安装：拖链内外侧均可打开
- 高强度：大直径孔销固定，横杆高强度锁紧设计
- 长寿命：侧向滑动面设计
- 长架空行程：高强度双限位块
- 安装选项：带或不带消除应力元件

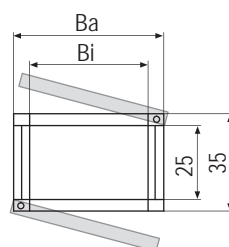
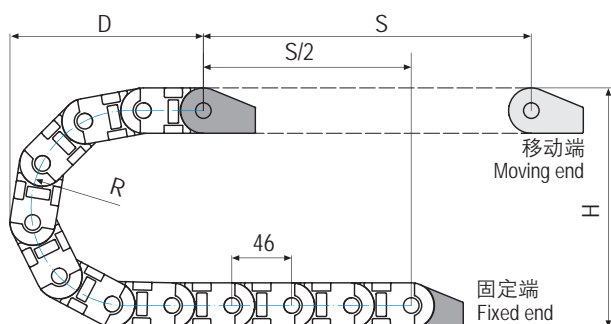
C12.25 closed cable chains for a wide range of applications, easy and versatile assembly combined with ruggedness - high strength paired with quieter motion - long cable life.

- Inner height 25mm, Inner width from 57mm to 125mm
- Protection against dirt and swarf (including high temperature swarf)
- Easy assembly: Chain links openable along inner or outer radius from both sides
- High strength: large pin/bore and crossbar with high locking force
- Long service life: lateral sliding surfaces design
- For long unsupported lengths: strength and double stop-dog design
- Universal connection: many mounting options with or without strain relief

标准尺寸 Standard dimensions

产品编码 Part No.	内宽 Bi		外宽 Ba		内高 Hi		外高 Ha		弯曲半径 R						应用	重量
	Inner width [mm]	Outer width [mm]	Inner height [mm]	Outer height [mm]					Bend radius [mm]						Unsupported length [m]	Weight [kg/m]
C12.25.057	57	73	25	35	055	075	100	125	150	175	200	225	250	架空应用 ≤ 2.25	0.91	
C12.25.077	77	93	25	35	055	075	100	125	150	175	200	225	250	Unsupported length 悬挂应用 ≤ 40	1.01	
C12.25.103	103	119	25	35	055	075	100	125	150	175	200	225	250	Vertical hanging 垂直应用 ≤ 3	1.05	
C12.25.125	125	141	25	35	055	075	100	125	150	175	200	225	250	Vertical standing	1.22	

安装尺寸 Installation dimensions



产品编码 Part No.:

C12.25.057.075.020

- 链节数量 Link quantity
- 弯曲半径 Bend radius
- 拖链内宽 Inner width
- 拖链内高 Inner height
- 拖链系列 Chain series

C12.25

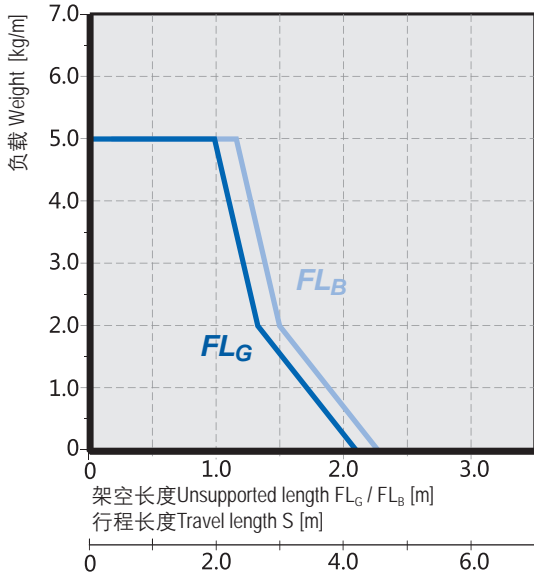
CSB-PCC[®]

www.csb-ep.com
sales@csb-ep.com

Tel: 0086 573 84186133/84185527
Fax: 0086 573 84185517

R	055	075	100	125	150	175	200	225	250
H	145	185	235	285	335	385	435	485	535
D	142	162	187	212	237	262	287	312	337
K	265	330	410	485	565	645	725	800	880

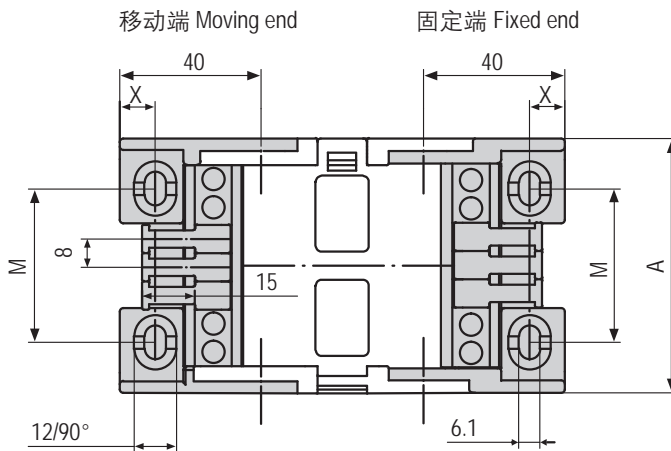
实际安装高度 The required clearance height: $H_f = H + 25\text{mm}$ (负载 Fill weight 2.5kg/m)



内高 B_i : 25mm
节距 T: 46mm
链节数: 22pcs/m
安装高度 H_f : $H + 25\text{mm}$
拖链长度: $S/2 + K$

Inner height: 25mm
Link pitch: 46mm
Link quantity: 22pcs/m
Clearance height: $H + 25\text{mm}$
Chain length: $S/2 + K$

拖链接头尺寸 Mounting bracket dimensions



产品编码 Part No.:

C12.25.057.0

- 0: 移动端 Moving end
- 1: 固定端 Fixed end
- 拖链内宽 Inner width
- 拖链内高 Inner height
- 拖链系列 Chain series

产品编码 Part No.	拖链内宽 Inner width B_i [mm]	A [mm]	X [mm]	M [mm]	安装应力单元最大数量 Max. quantity of tiewrap elements [pcs]
C12.25.057.0/1	57	74	10	44	6
C12.25.077.0/1	77	94	10	64	8
C12.25.103.0/1	103	120	10	90	10
C12.25.125.0/1	125	142	10	112	12