

CSB-PCC[®] Plastic Cable Chains

CSB-PCC[®] 工程塑料电缆拖链

C12.35 通用全封闭电缆拖链 Universal cable chains, Fully enclosed design



产品特性 Product features

C12.35通用型全封闭电缆拖链是应用范围广泛的拖管类产品，简单而多功能的组装结合坚固性，高强度配合更安静的运动，全封闭设计保护电缆长期安全运行。

- 拖链内高35mm，内宽50-175mm
- 碎屑防护功能（包括高温加工碎屑）
- 易于安装：拖链内外侧均可打开
- 高强度：大直径孔销固定，横杆高强度锁紧设计
- 长寿命：侧向滑动面设计
- 长架空行程：高强度双限位块
- 安装选项：带或不带消除应力元件

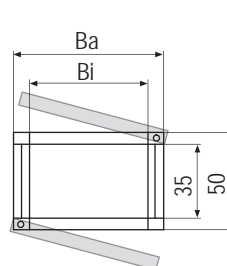
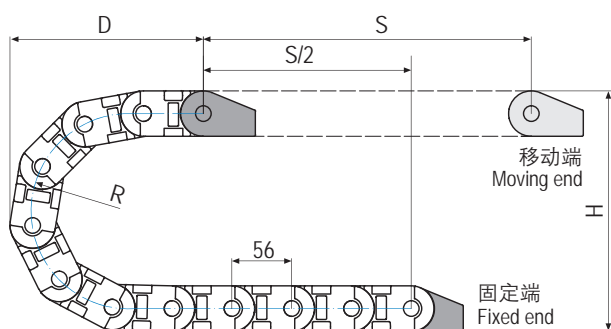
C12.35 closed cable chains for a wide range of applications, easy and versatile assembly combined with ruggedness - high strength paired with quieter motion - long cable life.

- Inner height 35mm, Inner width from 50mm to 175mm
- Protection against dirt and swarf(including high temperature swarf)
- Easy assembly: Chain links openable along inner or outer radius from both sides
- High strength: large pin/bore and crossbar with high locking force
- Long service life: lateral sliding surfaces design
- For long unsupported lengths: strength and double stop-dog design
- Universal connection: many mounting options with or without strain relief

标准尺寸 Standard dimensions

产品编码 Part No.	内宽 Bi		外宽 Ba		内高 Hi		外高 Ha		弯曲半径 R						应用	重量
	Inner width [mm]	Outer width [mm]	Inner height [mm]	Outer height [mm]	Bend radius [mm]						Unsupported length [m]	Weight [kg/m]				
C12.35.050	50	66	35	50	063	075	100	125	150	175	200	250	架空应用 ≤ 2.75 悬挂应用 ≤ 50	1.17		
C12.35.075	75	91	35	50	063	075	100	125	150	175	200	250		1.3		
C12.35.100	100	116	35	50	063	075	100	125	150	175	200	250	Vertical hanging	1.39		
C12.35.125	125	141	35	50	063	075	100	125	150	175	200	250	Vertical standing	1.48		
C12.35.150	150	166	35	50	063	075	100	125	150	175	200	250	Vertical standing	1.62		
C12.35.175	175	194	35	50	063	075	100	125	150	175	200	250	Vertical standing	1.85		

安装尺寸 Installation dimensions



产品编码 Part No.:

C12.35.050.075.020

- 链节数量 Link quantity
- 弯曲半径 Bend radius
- 拖链内宽 Inner width
- 拖链内高 Inner height
- 拖链系列 Chain series

C12.35

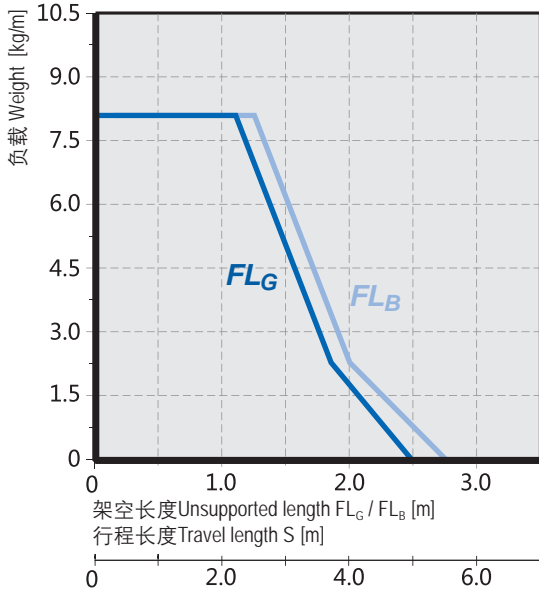
CSB-PCC[®]

www.csb-ep.com
sales@csb-ep.com

Tel: 0086 573 84186133/84185527
Fax: 0086 573 84185517

R	063	075	100	125	150	175	200	250
H	176	200	250	300	350	400	450	550
D	172	184	209	234	259	284	309	359
K	310	350	430	505	585	665	745	900

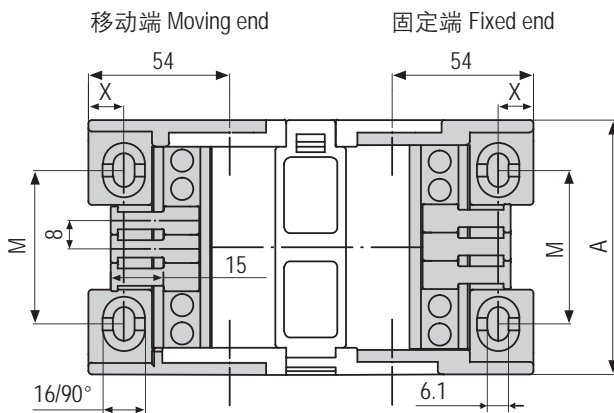
实际安装高度 The required clearance height: $H_f = H + 35\text{mm}$ (负载 Fill weight 2kg/m)



内高 B_i : 35mm
节距 T: 56mm
链节数: 18pcs/m
安装高度 H_f : $H + 35\text{mm}$
拖链长度: $S/2 + K$

Inner height: 35mm
Link pitch: 56mm
Link quantity: 18pcs/m
Clearance height: $H + 35\text{mm}$
Chain length: $S/2 + K$

拖链接头尺寸 Mounting bracket dimensions



产品编码 Part No.:

C12.35.050.0

- 0: 移动端 Moving end
- 1: 固定端 Fixed end
- 拖链内宽 Inner width
- 拖链内高 Inner height
- 拖链系列 Chain series

产品编码 Part No.	拖链内宽 Inner width B_i [mm]	A [mm]	X [mm]	M [mm]	安装应力单元最大数量 Max. quantity of tiewrap elements [pcs]
C12.35.050.0/1	50	68	17	30	5
C12.35.075.0/1	75	93	17	55	7
C12.35.100.0/1	100	116	17	80	10
C12.35.125.0/1	125	143	17	105	12
C12.35.150.0/1	150	168	17	130	15
C12.35.175.0/1	175	196	17	155	17